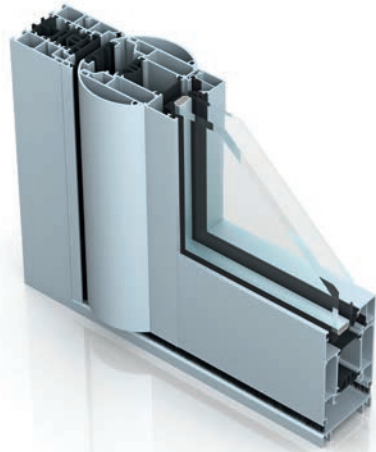
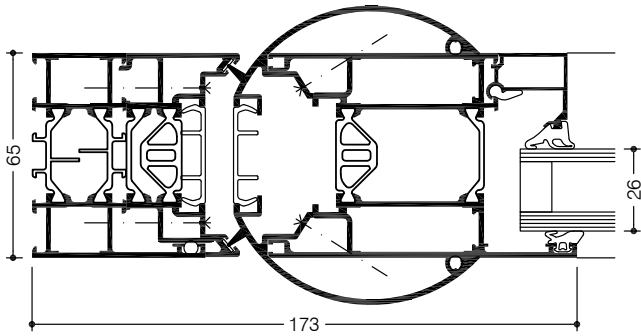


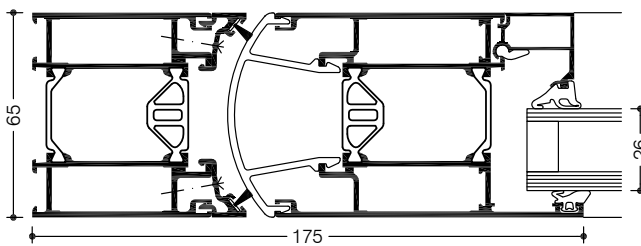
» WICSTYLE 65 evo
Double action door



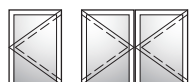
The WICSTYLE 65 evo series offers two profile options for single and double sash doors with double action fitting. Both versions are based on the standard door series and can perfectly be combined with it.



With round profile, fulfils also the finger protection requirements



Flush surface door



Technical performance:

Profile technology:

- High insulation multi-chamber system in symmetric design, quality assured thermal insulator connection
- For single and double leaf double action doors
- For glass or panels with infill thickness from 3 mm to 50 mm
- Various threshold profiles, also barrier free
- Fanlights, lateral glazings fixed or opening in combination with WICLINE evo window series

Hardware:

- With overhead door closer
- With floor spring
- Leaf sizes (w x h): 1300 mm x 2300 mm
- Max. leaf weight: until 160 kg

Additional designs:

- Integration frame for stick façades