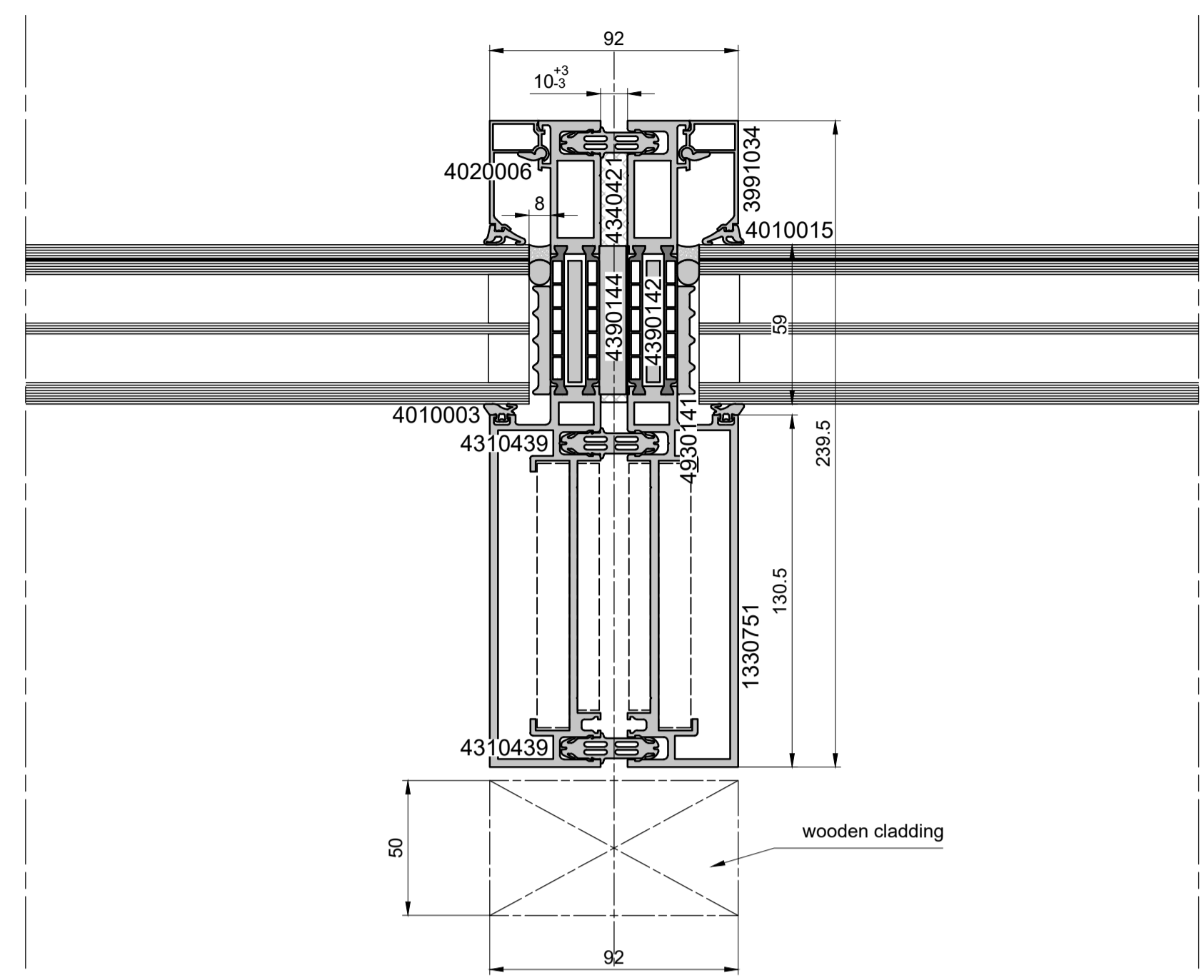
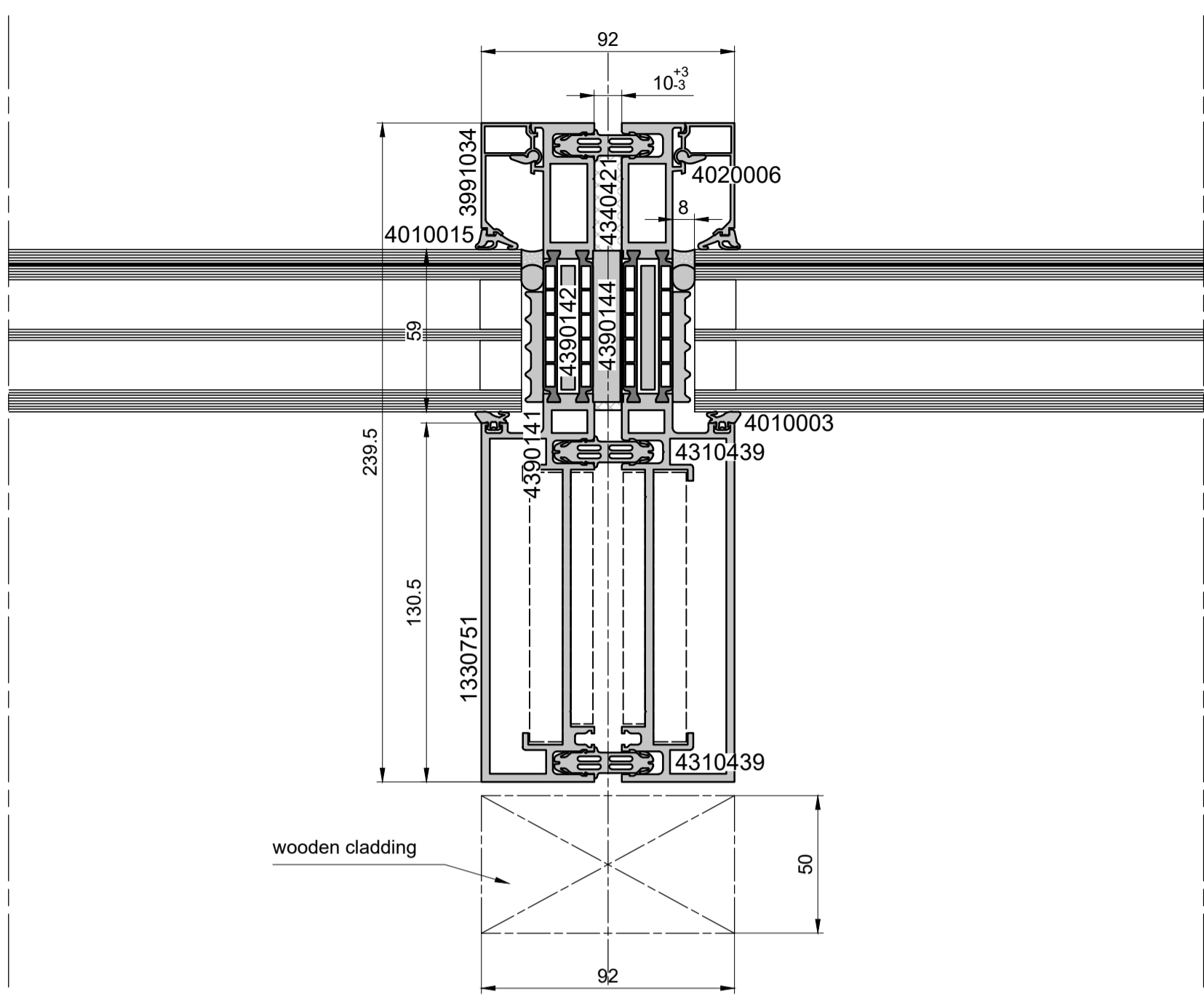
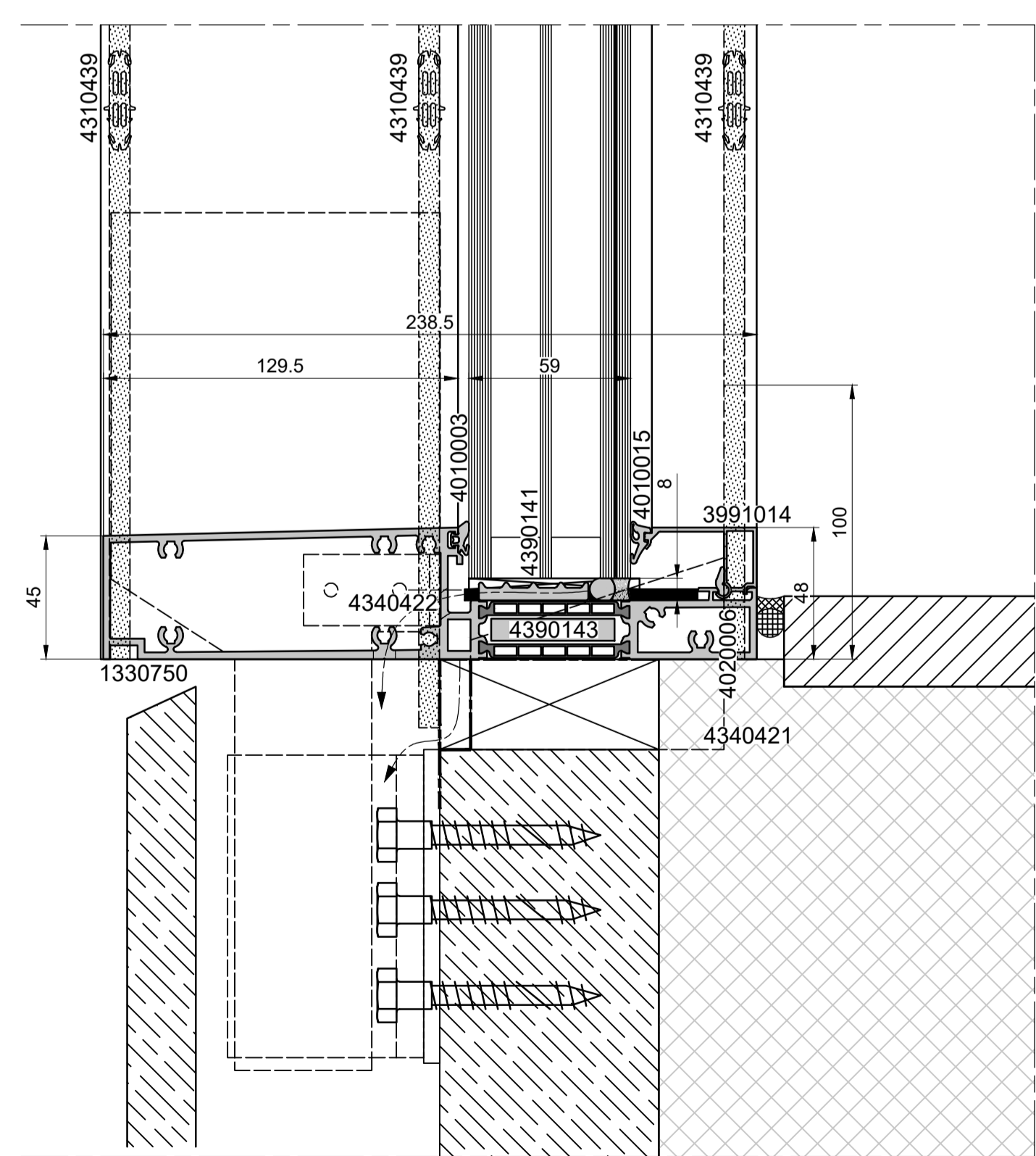
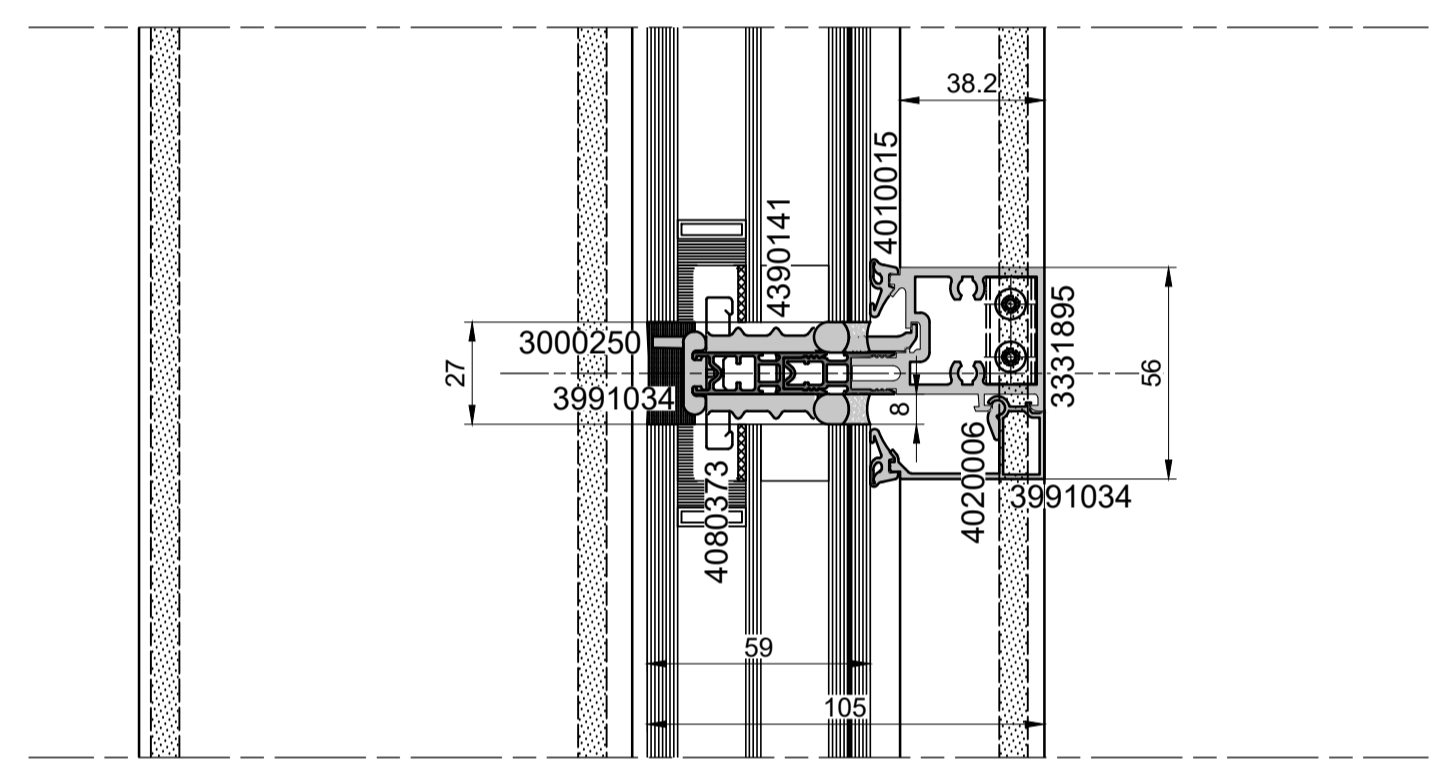
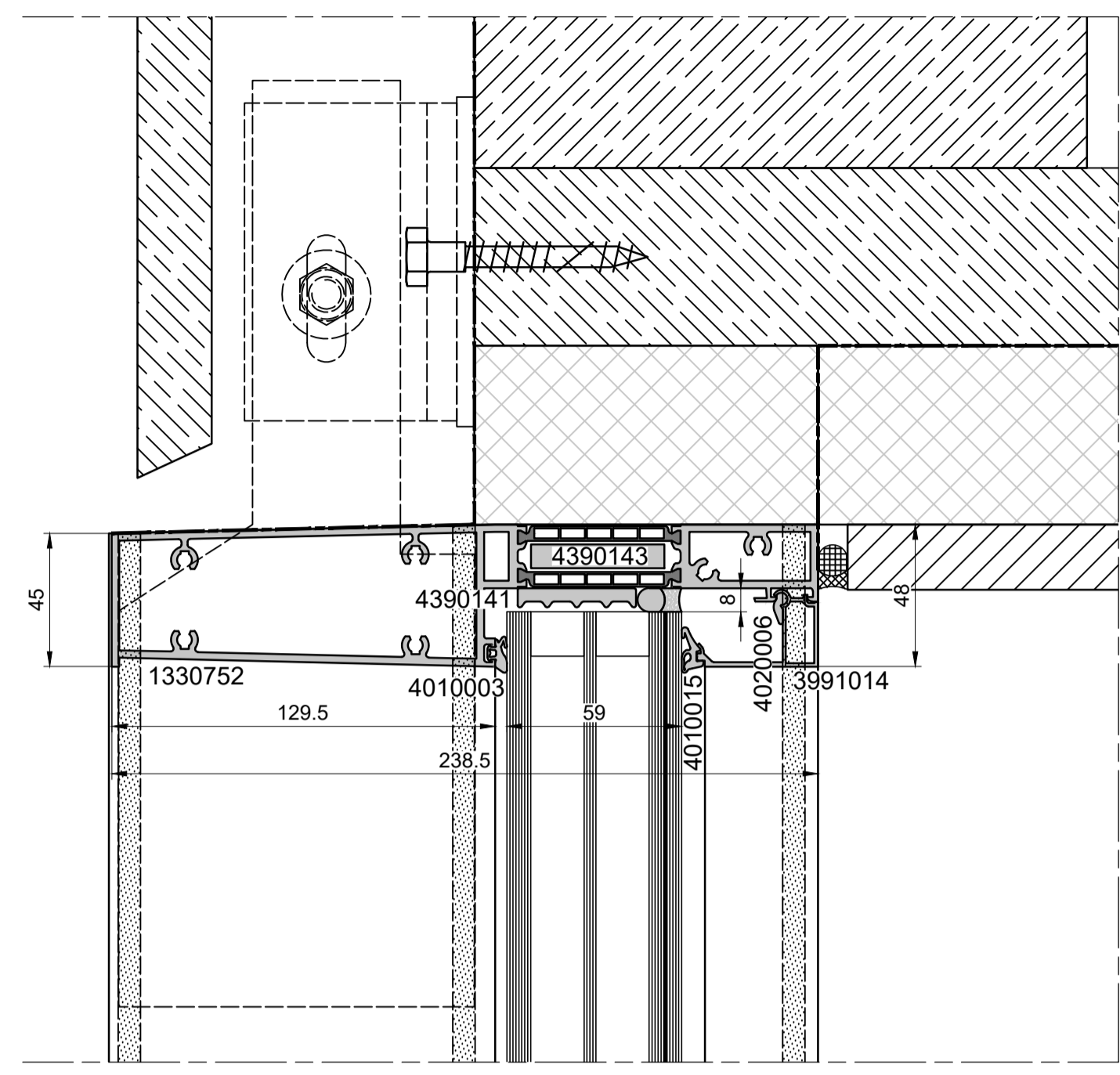
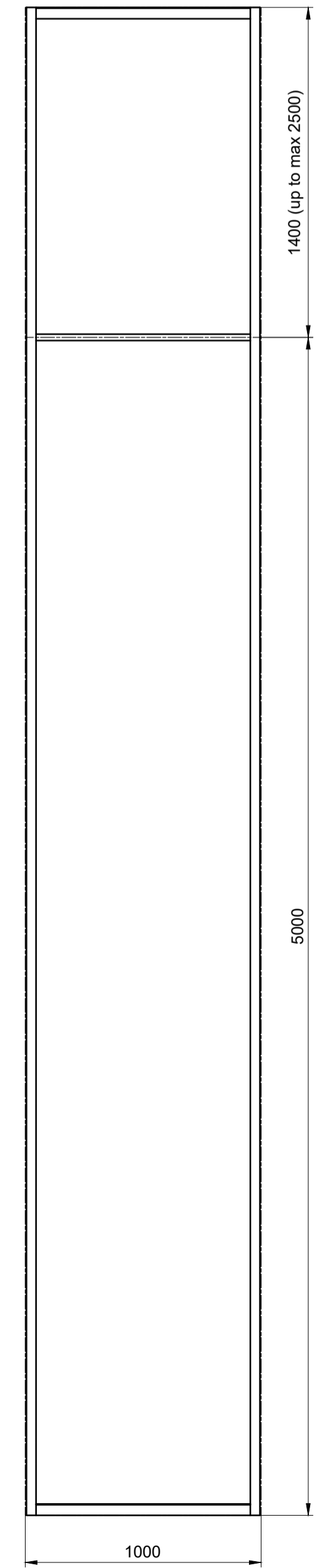


Rev	Description	Approved	Date
E	Aligned with customer's drawing	starot	24.03.2021
F	Comments changed	starot	26.03.2021
G			



OVERALL VIEW  
scale 1:20



For manufacturing released  
 Not released

\_\_\_\_ Date      \_\_\_\_\_ Signature + Company's stamp

Metal builder is responsible for the static proof.  
Please also refer to predimensioning provided by WICONA.

Project Name	The Plus		Layout	/
Project Number	PRO-12633		02_Items	
Customer				
		Series	The Plus	
		Description	Description	
Originator	Hydro Building Systems Poland Sp. z o.o.			Item ID
Date	Name	ul. Rokicinska 211/217	PL-92-620	Lodz
19/03/2021	BUFFLH			Doc ID PRO-12633-PCD-004
				Format A0-L Scale 1:2 Revision G