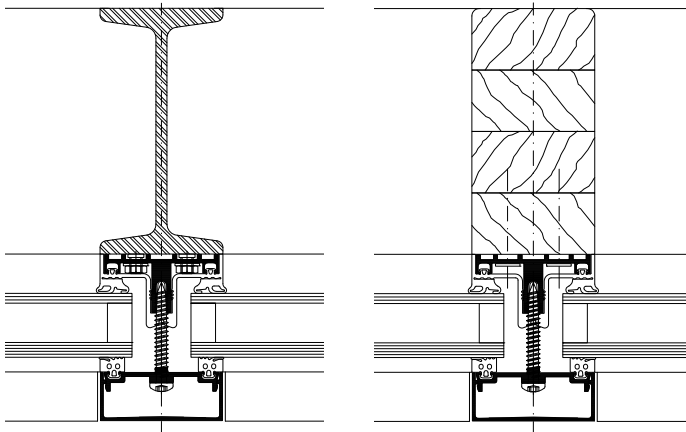


WICTEC 50A

Add-on curtain wall for steel and wood

In certain cases, it is aesthetically or structurally beneficial to design curtain walls with supporting structures made from wood or steel. WICTEC 50A is a mounting option which makes it possible to fix the glazing on such supporting structures directly. WICTEC offers a free choice of supporting material – aluminium, steel or wood – for an identical outer appearance and glazing technology for the curtain wall.



System test results / CE product pass in accordance with DIN EN 13830

Air permeability:	Class AE
Watertightness:	RE 1200
Resistance to wind load:	2000 / -3200 Pa, security 3000 / -4800 Pa
Impact resistance:	Class E5 / I5
Burglar resistance:	RC1N, RC2N, RC2
Bullet resistance:	FB4
Quality assurance:	Certified according to ISO 9001:2008



Technical performance:

System width: 50 mm
 Supporting frames: from 50 mm width
 Structural profiles: Wood profiles
 Steel tubes
 Open steel profiles

System technology:

- Free choice of material (steel or wood), for profile widths from 50 mm
- Same interface profile for mullions and transoms
- Overlapping via vertical and horizontal single-piece overarching sealing profiles with different drainage levels
- Simple and efficient fixing of the aluminium profile by means of screws
- Alternative simple fixing technique using steel studs for steel tubes with a wall thickness from 4 mm
- Ideal for vertical and polygon façades, sloped glazing and spatial structures
- Glazing from outside with visible or concealed screws