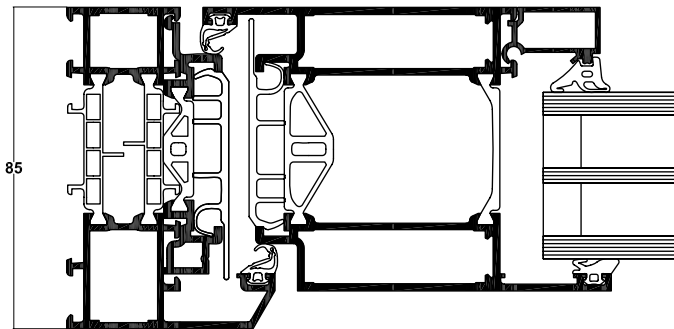


WICSTYLE 65 evo / WICSTYLE 75 evo Classic design



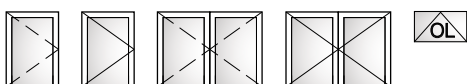
Bevelled profile contours and overlapping sashes are characteristic for the aluminium door series WICSTYLE evo in classic design. This design underlines a style which is often requested for residential architecture. Ideal for new building and for energetic renovations alike.



System test results / CE product pass in accordance with DIN EN 14351-1:2006+A1:2010

Air permeability:	Until class 4
Watertightness:	Until 7A
Resistance to wind load:	Class C2
Acoustic performance:	R_w (C; Ctr) until 43 (-2; -5) dB
Operating forces:	Class 2
Load bearing capacity of safety devices:	Fulfilled
Mechanical strength:	Class 3
Repeated opening / closing:	Until class 7 (500,000 cycles)
Impact resistance:	Class 1
Behaviour between different climates:	Until class 2(e) 2(d)
Burglar resistance:	RC1N, RC2N, RC2, RC3
Quality assurance:	Certified according to ISO 9001:2008

Specific application data see ift product pass



Technical performance:

Profile technology:

- High insulation multi-chamber system in symmetric design, quality assured thermal insulator connection
- For single and double leaf hinged doors
- For inward and outward opening
- For glass or panels with infill thickness from 3 mm to 60 mm
- Various threshold profiles with or without thermal break, also barrier free
- Fanlights, lateral glazings fixed or opening in combination with WICLINE evo window series

Thermal insulation:

- U_f values: from 1.6 to 1.8 W/(m²K), without foam inserts

Fittings:

- Butt hinge
- Screwed hinge
- Concealed hinge*
- Leaf sizes (w x h): 1400 mm x 2520 mm,
- Max. leaf weight: until 200 kg

Additional designs:

- Double action doors
- Integration frame for stick façades
- Burglar resistance in classes RC1 to RC3

*on demand