

**WICONA**<sup>®</sup>  
TECHNIK FÜR IDEEN



A bigger view of the city

» WICSLIDE 75FD

ALUMINIUM FOLDING / SLIDING DOOR SYSTEMS





» Open up your living space  
WICSLIDE 75FD



## Large spaces! Wide openings! More modularity!

Current architectural trends present major challenges in the search for greater dimensions, the desire to increase living space, and the need for greater modularity.

To meet this demand, WICONA is expanding its range of aluminium doors with the WICSLIDE 75FD folding/sliding door.

### Meeting the needs of many markets

Safe, high-performance, aesthetically pleasing, easy to assemble and install, the WICSLIDE 75FD folding/sliding door can be used as a partition for conference rooms, a retractable window for showrooms such as car dealerships, in theatres for maximum modularity, or as an opening façade for hotel and restaurant terraces.

The WICSLIDE 75FD folding/sliding door offers full opening, creating expanded living space in both the high-end residential and the commercial property markets.

### Tall doors, wide openings

This door system is notable for its large dimensions. Guided by upper and lower roller assemblies, with 4 stainless steel rollers, each leaf can support a load of up to 150 kg. The adjustable and completely concealed system enables you to combine up to 10 leaves, with a maximum height of 3 metres and a width of 1.20 metres each. In total, the door can be 12 metres long, giving an opening of over 10 metres. The WICSLIDE 75FD folding/sliding door is available in two versions: standard or heavy-duty for XXL sizes.

The WICSLIDE 75FD folding/sliding aluminium door is the ideal solution for modular spaces and for allowing the maximum width when open, while minimising the space required for the folded leaves.



High aesthetics



Unisys principle



Architectural freedom



Easy to fabricate and install

# » Efficiency, simplicity, design

Finishes on the WICSLIDE 75FD folding/sliding doors are carefully designed for visual harmony in both open and closed positions.

## Modern design and attention to detail – open position

The black coating of the vertical areas of the leaves, including the slot covers, hinges, roller assembly and joints, makes the hardware extremely discreet, with a finish that blends in perfectly with the whole.

Finishes have been designed to the last detail: for example, when open, all elements are black, the screw heads are concealed by black caps which form part of the seal, and the lower rollers are concealed by black covers.



Concealed screw heads



Concealed lower rollers

All elements are black when opened



## Modern design and attention to detail – closed position

The profiles are flush and their presence is dignified and balanced. The black hinges are integrated into the vertical line of the seal.



Ergonomic pull handle



Black hinges integrated into vertical line of seal

## Two handle types are available:

- An extra-flat handle in stainless steel design for a contemporary look. The semi-cylinder lock covers can be painted any colour. Fixings are invisible when closed. The handle is designed so that the profiles or keys are not damaged in the folded position.
- An ergonomic pull handle, no wider than the joints, ensures the best possible discreet integration into the leaves. The handle is mounted on hinges to make opening and closing easier.



Paintable extra-flat handle



Paintable lock cover



Extra-flat handle, stainless steel design



Stainless steel design lock cover



## » Folding / sliding door WICSLIDE 75FD

WICONA's door range is one of the brand's star products. As well as the quality and performance aspects of its doors, WICONA puts simplification at the heart of its relationship with fabricators. Therefore the WICSLIDE 75FD folding/sliding door is particularly simple to assemble and install: a smaller range of parts, reversible profiles, vertical and lateral adjustment for rollers and frames for perfect installation and handling, to highlight a few benefits.

### Multiple use of system components

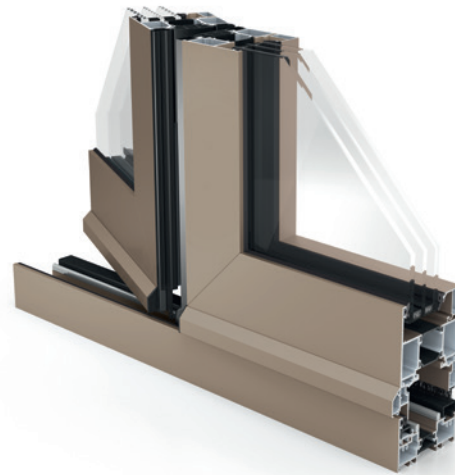
- Same inner and outer glazing gasket as for WICLINE window, WICSTYLE door and WICSLIDE sliding systems
- Compatible with the WICLINE 75 evo and WICSTYLE 75 evo series



Symmetrical profiles: simple reversible system

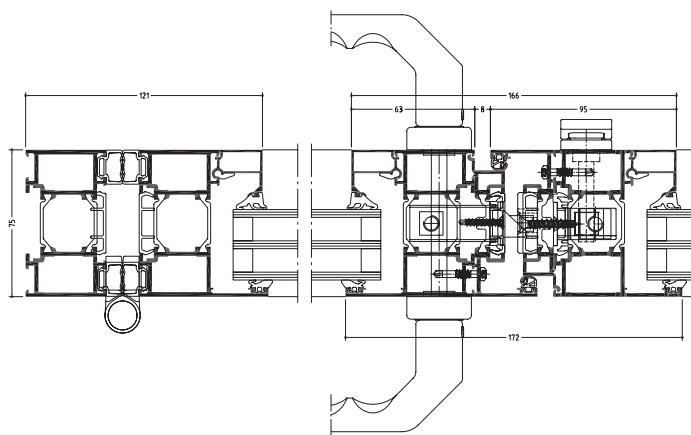






The WICSLIDE 75FD folding/sliding aluminium door is the ideal solution for modular spaces, allowing for maximum width when open, while minimising the space required for the folded leaves.

It can be used as a partition for conference rooms, a retractable window for display areas such as car dealerships, or even as an opening façade for hotel and restaurant terraces.



Horizontal cross-section

### Technical performance

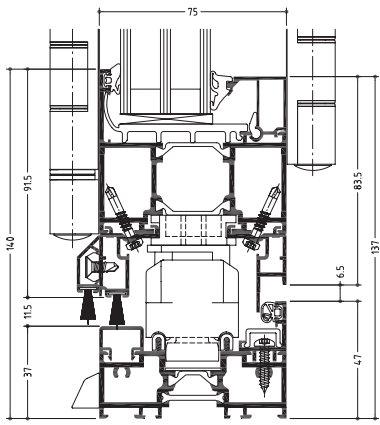
- Infill thickness from 6 mm to 60 mm
- Folding / sliding elements with three to ten leaves
- Opening right or left
- Inward or outward opening
- Main leaf positioned centrally or to one side
- Standard and heavy-duty versions
- Threshold:
  - Double brush seal
  - Flush for persons with reduced mobility
  - Frame profile for improved performance
  - For higher requirements with gasket
- Hardware corrosion resistance: Grade 5 (420 h in neutral spray)
- Simple to adjust on site (vertical and lateral):
  - Vertical + 3 mm / - 1 mm
  - Lateral +/- 5 mm
- Glazing with identical dimensions
- Max. leaf sizes (w): up to 1 200 mm
- Max. leaf sizes (h): up to 3 000 mm
- Weight of leaves up to 150 kg
- Profile depth 75 mm
- Three-point locking, with keys

### Thermal performance :

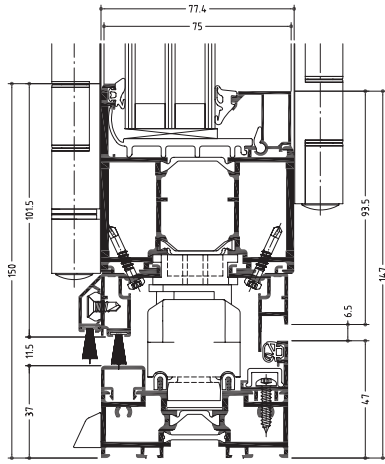
- 3-leaf door (w x h): 3 773 mm x 3 148 mm
  - $U_d = 1.5 \text{ W}/(\text{m}^2\text{K})$  with  $U_g = 1.1 \text{ W}/(\text{m}^2\text{K})$  double-glazed
  - $U_d = 1.0 \text{ W}/(\text{m}^2\text{K})$  with  $U_g = 0.6 \text{ W}/(\text{m}^2\text{K})$  triple-glazed

	Outward opening
Air permeability:	Up to Class 4
Watertightness:	Up to E 750
Resistance to wind load:	Up to Class C3/B3
Operating forces:	Class 1 (under 100 N)
Mechanical resistance:	Class 4
Acoustic performance:	Up to 43 dB
Repeated opening / closing*:	Class 3: 20 000 cycles (3 leaves of 150 kg)
Anticorrosion:	Grade 5

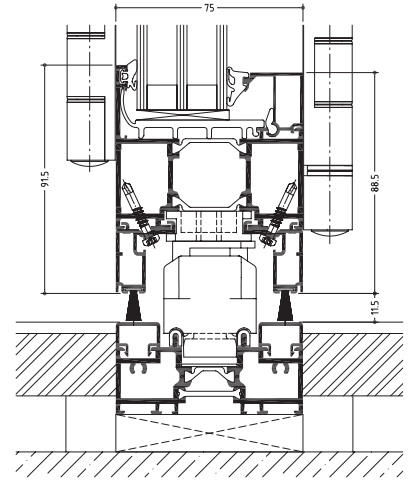
\* under verification



Standard version



Heavy-duty version



Recessed PMR threshold



# Maximum modularity

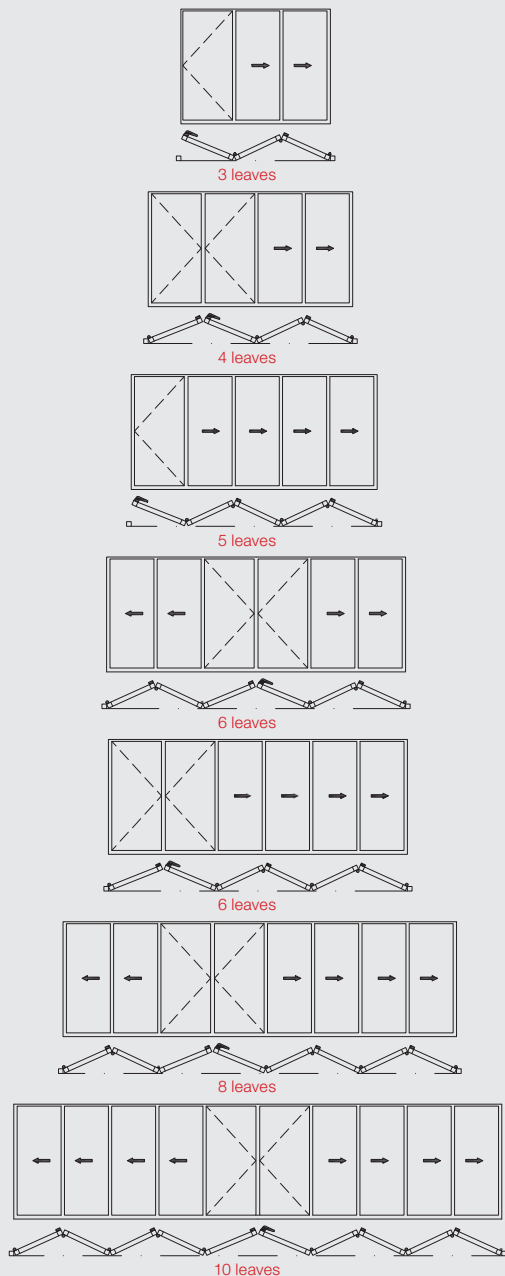
The WICSLIDE 75FD folding/sliding door offers a wide range of configurations to suit all requirements and easily open up your spaces.

Many types of opening are possible, from 3 to 10 leaves, with either a central opening to emphasise the separation of two spaces when opening in two halves, left and right, or a side opening for a panoramic view.

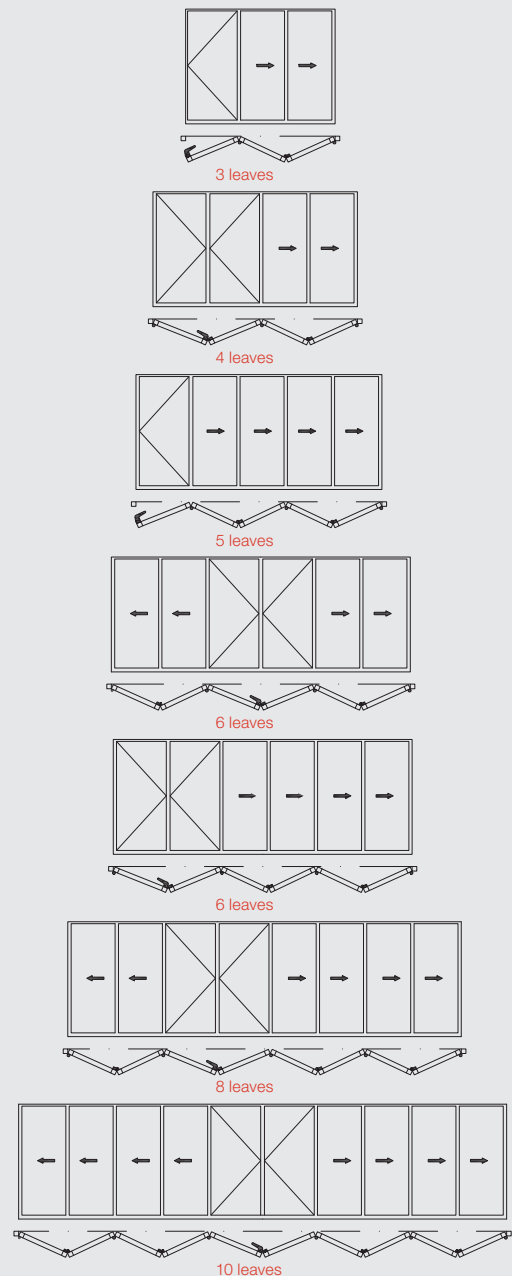
When opened, the leaves can be positioned outside in order to maximise the living space, or inside to blur the visible boundary when looking from outside.

## Opening systems

### Inward opening



### Outward opening



# » Cradle 2 Cradle

## Sustainable and ecological

At WICONA, sustainability and ecology have been a fundamental part of the company's philosophy for a long time. Recently, this was significant with them being awarded the Silver Cradle-to-Cradle (C2C) Certificate for window, door, façade and sliding systems.

The process leading to certification takes the designer and manufacturer through a process of continuous product optimisation towards a combination of ambitious aesthetics, technical quality and the highest ecological standards.

The C2C Certificate complements and also offers an alternative to the well-known building certificates (DGNB, LEED, BREEAM, etc.). The criteria are directly related to the product, not to the entire building. The responsibility of the product manufacturer, including the entire prefabrication and supply chain, comes into focus.

In order to achieve one of the five levels of certification (from Basic up to Platinum), a product must satisfy the minimum requirements of the relevant level in the following five categories: Material health, Material reutilization, Renewable energy and carbon management, Water stewardship and Social fairness and biodiversity.

The five C2C categories enable all aspects of the materials used, the manufacturing process – including the company's social responsibility and its impact for society – to be considered throughout the certification process.

For planners and architects, certification provides them with the advantage that, with WICONA aluminium systems, they are always able to automatically achieve at least C2C Silver Standard. The differences in their ecological thinking and behaviour compared to the competition are clearly visible. However, for WICONA, the Silver standard is just another step towards Platinum level.



# » Reinvent the city with us

In the future, 70% of people on the planet will live in cities. This is a major challenge for the construction industry, which will have to develop design methods, products and processes to make city developments livable and sustainable.

With its tradition of innovation in the use of aluminium in building, WICONA has in recent years confirmed its position as a key player in how cities evolve. The company develops highly technically-

efficient and energy-efficient aluminium systems to meet the needs of ever more complex construction systems, taking into account more and more sophisticated requirements.

It gives urban planners, architects and property owners the means to achieve their ambitions and gives contracting companies the boldest construction systems.







**Austria**

5201 Seekirchen  
☎ +43 6212 2000  
✉ info@wicona.at

**Benelux**

3400 Landen  
☎ +32 11 690316  
✉ info@wicona.be  
✉ info@wicona.nl

**Croatia**

43000 Bjelovar  
☎ +385 43 22 25 46  
✉ info@wicona.de

**Czech Republic**

15500 Praha  
☎ +420 721 333 133  
✉ wicona@wicona.cz

**Denmark**

8240 Risskov  
☎ +45 7020 2048  
✉ wicona@wicona.dk

**España**

08195 Sant Cugat del Vallès  
Barcelona  
☎ +34 93 573 77 76  
✉ wicona.es@wicona.com

**Estonia / Latvia**

11317, Tallinn  
☎ +37 2657 6635  
✉ info@wicona.ee

**France**

02200 Courmelles  
☎ +33 3 23598200  
✉ info@wicona.fr

**Germany**

89077 Ulm  
☎ +49 731 3984-0  
✉ info@wicona.de

**Hungary**

1031 Budapest  
☎ +36 (1) 4533457  
✉ info@wicona.hu

**Ireland**

Dublin 22  
☎ +353 1 4105766  
✉ info@wicona.ie

**Italia**

20063 Cernusco sul Naviglio MI  
☎ +39 02 924291  
✉ info@wicona.it

**Lithuania / Latvia**

02244, Vilnius  
☎ +370 5 2102587  
✉ info@wicona.lt

**Norway**

2007 Kjeller  
☎ +47 22 422200  
✉ wicona@wicona.no

**Poland**

03-828 Warszawa  
☎ +48 22 3308170  
✉ info@wicona.pl

**Romania**

031041 Bucharest  
☎ +40 21 3260045  
✉ info@wicona.de

**Serbia**

11070 Beograd  
☎ +381 11 312 18 35  
✉ info@wicona.de

**Slovakia**

821 08 Bratislava  
☎ +421 918 725 098  
✉ wicona@wicona.sk

**Slovenia**

2201 Zg. Kungota  
☎ +386 26 20 99 70  
✉ info@wicona.de

**Sweden**

574 81 Vetlanda  
☎ +46 470 787400  
✉ wicona@wicona.se

**Switzerland**

5506 Mägenwil  
☎ +41 62 88741-41  
✉ info@wicona.ch

**United Kingdom**

Wakefield WF5 9TG  
☎ +44 1924 232323  
✉ info.wiconauk@wicona.com

**China**

Beijing 100005, P.R.C  
☎ +86 10 6059 5686 ext. 805  
✉ contact.wicona.international@wicona.com

**Singapore**

608831 Singapore  
☎ +65 6513 2126  
✉ contact.wicona.international@wicona.com

**United Arab Emirates**

**Dubai**  
☎ +971 4 887 00 96  
✉ contact.wicona.international@wicona.com

**Other countries**

31037 Toulouse  
☎ +33 5 61312626  
✉ contact.wicona.international@wicona.com