

WICONA®

By  Hydro



© Fraunhofer IPA / Gert Hoff

Aluminium solutions for façades,
windows, doors and sliding elements

» System data sheets

ALUMINIUM PROFILE SYSTEMS

» WICONA

System data sheets

All key product features for each application at a glance: the WICONA system data sheets offer you all critical information about all WICONA series in a complete, clear and structured overview.



Why WICONA? Because as a successful aluminium systems company based in Germany, WICONA has more than 70 years' experience – experience from which you can benefit on a daily basis. We not only provide you with a reliable and co-operative supplier, but you can also enjoy the advantages

of a strong, technologically advanced brand that has enjoyed long-term success in the market. At WICONA, every detail counts: from detailed planning to the perfect processing material and rapid supply right through to active sales support. That's why you should choose WICONA!



Curtain walling WICTEC	4
Windows WICLINE	16
Doors WICSTYLE	39
Sliding systems WICSLIDE	54
Solar shading systems WICSOLAIRE	58
Cradle-to-Cradle (C2C)	59
Join a revolution – Hydro CIRCAL	60
The solution for technical know-how – WICTIP	61

You can find more comprehensive support tools for your project planning and tendering on our website.

- Tender texts as word templates
- System sections in .dwg and .dxf format
- System data sheets in PDF format
- Reference projects worldwide in WICONA FINDER or on our iPad App

Please note: the application possibilities and the availability of the product series may be different depending on the country. Please ask your local WICONA sales office for details.

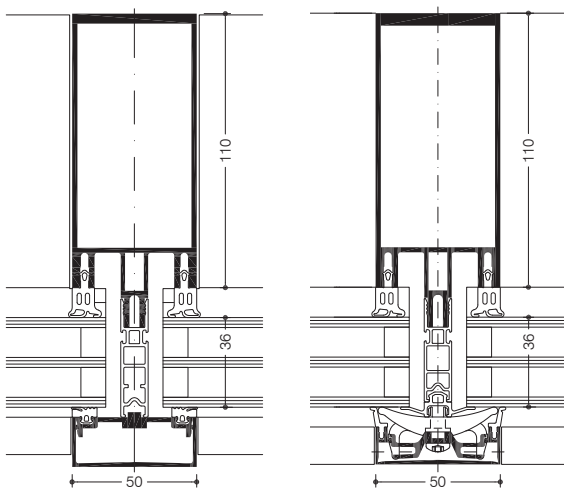
Cover project: Gamlestaden resecentrum, Gothenburg, Sweden
Architect: Pekka Leppänen
Fabricator: UPB
Photo: © Fotograf Felix Gerlach

Project: Les Cauquillous des Laboratoires Pierre Fabre, Lavaur, France
Architect: Raynal Architecture
Fabricator: Carré Aluminium
Photo: © Vincent Boutin

» WICTEC 50
Stick system
curtain wall



WICTEC 50 is the basic version of the stick system curtain wall, with an extra-narrow face width of 50 mm, inside and outside. The unique flexibility is demonstrated by the various system variants and enhancement options, all of which are feasible with minor additions to the base system and without compromising on appearance.



**System test results / CE product pass
in accordance with DIN EN 13830**

Air permeability:	Class AE
Water tightness:	RE 1200
Resistance to wind load:	2000 / -3200 Pa, security 3000 / -4800 Pa
Sound insulation:	$R_w(C;C_{tr}) = 47 (-1; -4)$ dB
Impact resistance:	Class E5 / I5
Burglar resistance:	RC1N, RC2N, RC2, RC3
Bullet resistance:	FB4
Quality assurance:	Certified according to ISO 9001:2008
Environmental management:	Certified according to ISO 14001

Technical performance:

System width:	50 mm
Profile depth:	50 mm to 260 mm
Thermal insulation:	U_f value up to 0.65 W/(m ² K)
Infill thickness:	3 mm to 63 mm
Glass weight:	up to 6.0 kN
Polygon façade:	up to ±45° (per side = 90° angle)
Roof pitch:	up to 10°

System technology:

- Ideal for vertical and polygon façades, sloped glazing and spatial structures
- Individual design possibilities, thanks to a wide range of aesthetic profiles
- Alternative: Industrial design for the appearance of steel profiles
- Reliable glass load transfer (up to 6.0 kN), with improved transom-joint technology
- Overlapping and secure drainage at the cruciform, without mechanical mullion processing, ensures tried-and-tested impermeability
- Consistent internal gasket appearance
- Wide selection of structural profiles, with optional integral reinforcements, ensuring optimal performance
- External glazing, with visible or concealed fixings
- Extensive solutions for framework junctions and conservatories

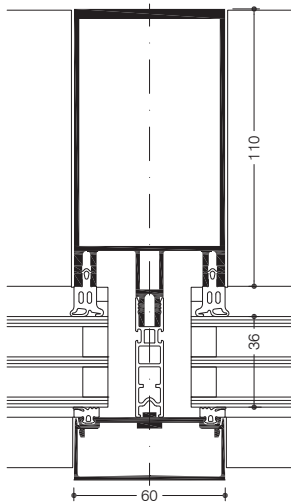
Additional options in identical design and technical set-up:

- Passive house curtain wall (ift Rosenheim)
- SG-design (integrated pressure profile)
- Structural glazing curtain wall
- Add-on curtain wall for steel and wood
- Integrated sun protection
- Fire protection curtain wall
- Quick glazing
- Straight cut
- Heavy load system



» WICTEC 60
Stick system
curtain wall

Featuring a 60 mm face width, inside and outside, the WICTEC 60 is a stick system façade that meets the highest demands. With minor additions, WICTEC 60 fulfils the most demanding requirements with regards to burglar, bullet and fire resistance.



**System test results / CE product pass
in accordance with DIN EN 13830**

Air permeability:	Class AE
Water tightness:	RE 1200
Resistance to wind load:	2000 / -3200 Pa, security 3000 / -4800 Pa
Sound insulation:	$R_w (C; C_{tr}) = 47 (-1; -4)$ dB
Impact resistance:	Class E5 / I5
Burglar resistance:	RC1N, RC2N, RC2, RC3
Bullet resistance:	FB4
Quality assurance:	Certified according to ISO 9001:2008
Environmental management:	Certified according to ISO 14001



Technical performance:

System width:	60 mm
Profile depth:	70 mm to 170 mm
Thermal insulation:	U_f value up to 1.2 W/(m²K)
Infill thickness:	3 mm to 51 mm
Glass weight:	up to 4.0 kN
Roof pitch:	up to 10°

System technology:

- Ideal for vertical and sloped glazing
- Individual design possibilities, thanks to a wide range of aesthetic profiles
- Reliable glass load transfer (up to 4.0 kN), with improved transom-joint technology
- Overlapping and secure drainage at the cruciform, without mechanical mullion processing, ensures tried-and-tested impermeability
- Consistent internal gasket appearance
- High static value profiles, with optional integral reinforcements, ensuring optimal performance
- External glazing, with visible or concealed fixings
- Extensive solutions for framework junctions

Additional options in identical design and technical set-up:

- Integrated sun protection
- Fire protection curtain wall

COMING SOON:

WICTEC 60 evo

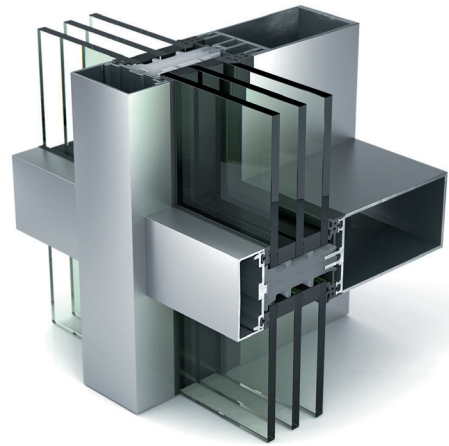
Technical performance:

Profile depths:	up to 190 mm
Thermal insulation:	U_f value up to 0.65 W/(m²K)
Infill thickness:	up to 62 mm
Glass edge coverage:	up to 18.5 mm
Glass clearance:	up to 11 mm

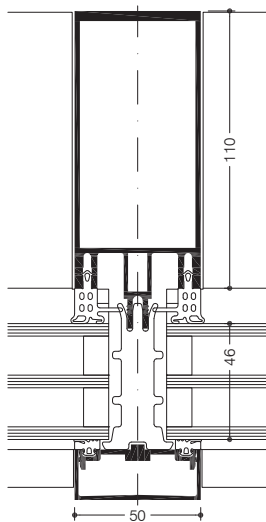
System technology:

- Heavy load system
- Internal gaskets to accommodate +/-2 mm glazing infill thickness tolerances
- Horizontal and vertical line aesthetics
- SG design integrated pressure profiles

» WICTEC 50HI
 Passive house curtain wall
 Certified passive house
 component (ift)



Passive house does not require an active heating system and therefore relies heavily on the thermal insulation and air-tightness of the façade. Based on the standard series, WICTEC 50HI is certified for aluminium/glass façades suitable for passive houses at minimal additional cost. The thermal insulation exceeds the benchmark requirements of passive-house, with a U_f value of $0.65 \text{ W}/(\text{m}^2\text{K})$ thanks to easy-to-install special thermal break profiles in combination with triple glazing.



Technical performance:

System width:	50 mm
Basic system:	WICTEC 50
Thermal insulation:	$U_f = 0.65 \text{ W}/(\text{m}^2\text{K})$
Infill thickness:	up to 63 mm
Glass weight:	up to 6.0 kN
Polygon façade:	up to 5°

System technology:

- Extension to WICTEC 50 with optimised thermal insulation
- Certified by the ift Rosenheim as a passive house component according to the ift guidance paper RI WA 15/1, with a U_{cw} value of $0.7 \text{ W}/(\text{m}^2\text{K})$
- Triple glazing construction suitable for passive houses, infill thicknesses up to 63 mm
- Thermally enhanced isolator profiles for subsequent installation
- System construction identical to standard WICTEC 50
- Ideal for vertical and polygon façades, sloped glazing and spatial structures
- Individual design possibilities, thanks to a wide range of aesthetic profiles
- Reliable glass load transfer (up to 6.0 kN), with improved transom-joint technology
- Overlapping and secure drainage at the cruciform, without mechanical mullion processing, ensures tried-and-tested impermeability
- Consistent internal gasket appearance
- Wide selection of structural profiles, with optional integral reinforcements, ensuring optimal performance

**System test results / CE product pass
 in accordance with DIN EN 13830**

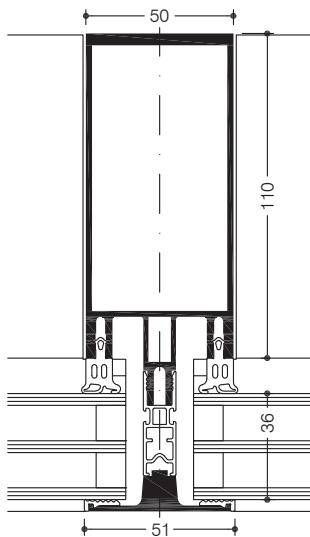
Air permeability:	Class AE
Water tightness:	RE 1200
Resistance to wind load:	2000 / -3200 Pa, security 3000 / -4800 Pa
Sound insulation:	$R_w (C; C_w) = 47 (-1; -4) \text{ dB}$
Impact resistance:	Class E5 / I5
Burglar resistance:	RC1
Quality assurance:	Certified according to ISO 9001:2008
Environmental management:	Certified according to ISO 14001



» WICTEC 50
SG design



Reduced profile projections, creating maximum transparency: With its integrated pressure profile, the WICTEC 50SG design offers an inexpensive solution with a similar aesthetic to structural glazing. Available as a flush or low projecting installation, both solutions are a fast and easy extension of a classic stick curtain wall.



Technical performance:

System width:	50 mm
External profile width:	43 mm / 51 mm
Infill thickness:	22 mm to 63 mm (traditional IGU) and 26 mm to 47 mm (milled IGU)
Basic system:	WICTEC 50

System technology:

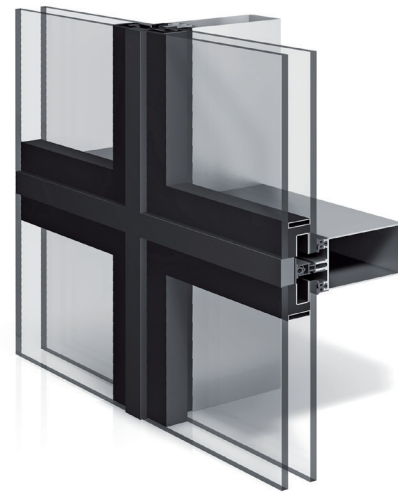
- Minimal external sight-lines with 43 mm and 51 mm pressure profile widths
- Two options: 4 mm pressure profile projection from the outer glass using traditional IGUs, or completely flush with the outer surface of the IGU by milling the edge of the glass
- Standard stick curtain wall construction with similar external appearance to structural glazing
- Replaces the silicone joint of a classic SG system, thus no bonding/sealing, no technical approval, consistent external visual quality and the possibility of using standard double or triple IGUs
- Production and assembly the same as the standard WICTEC 50 curtain wall
- Overlapping and secure drainage at the cruciform, without mechanical mullion processing, ensures tried-and-tested impermeability
- Consistent internal gasket appearance
- Wide selection of structural profiles, with optional integral reinforcements, ensuring optimal performance

**System test results / CE product pass
in accordance with DIN EN 13830**

Air permeability:	Class AE
Water tightness:	RE 1200
Resistance to wind load:	2000 / -3200 Pa, security 3000 / -4800 Pa
Impact resistance:	Class E5 / I5
Burglar resistance:	RC1N
Quality assurance:	Certified according to ISO 9001:2008
Environmental management:	Certified according to ISO 14001

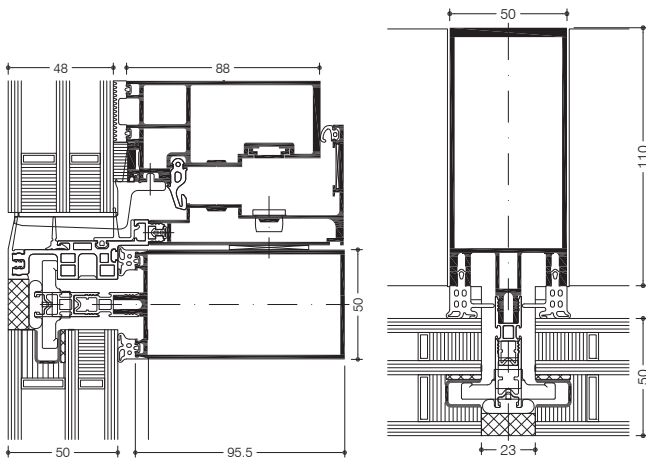


» WICTEC 50SG
Structural glazing
curtain wall



A characteristic feature of WICTEC 50SG structural glazing curtain wall is the flush design with slim silicone joints between the glass panes. The system offers all-glass technology both for vertical curtain walls and sloped roof glazing. Based on the standard WICTEC 50 stick system these options can be realised with simplified and economic processing and assembly, while assuring a high level of quality.

The WICLINE 90SG integrated opening sash complements the homogeneous full glass design with Italian style or parallel outward opening functionality.



WICTEC 50SG with integration sash WICLINE 90SG

WICTEC 50SG

Technical performance:

System width: Internal aluminium profiles 50 mm
External silicone joint 23 mm

Thermal insulation: U_f up to 1.6 W/(m²K)

Infill thickness: up to 64 mm

System technology:

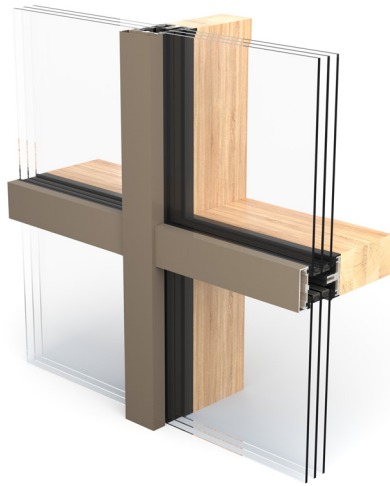
- ETA (European Technical Approval) granted
- Outstanding appearance
- Basic structure same as the WICTEC 50 curtain wall, with identical profile and gasket technology
- Fast and simple installation of IGUs, thanks to a special patented fastener
- Can also be combined with external cover profiles in various shapes and designs
- The ideal complement: WICLINE 90SG all-glass integrated sash with Italian style or parallel outward opening functionality

System test results / CE product pass in accordance with DIN EN 13830

Air permeability:	Class AE
Water tightness:	RE 750
Resistance to wind load:	2000 Pa, security ± 3000 Pa
Impact resistance:	Class E5 / I5
Approval:	ETA: 12/0551 (European Technical Approval)
Quality assurance:	Certified according to ISO 9001:2008
Environmental management:	Certified according to ISO 14001



» WICTEC 50A
Add-on curtain wall
for steel and wood



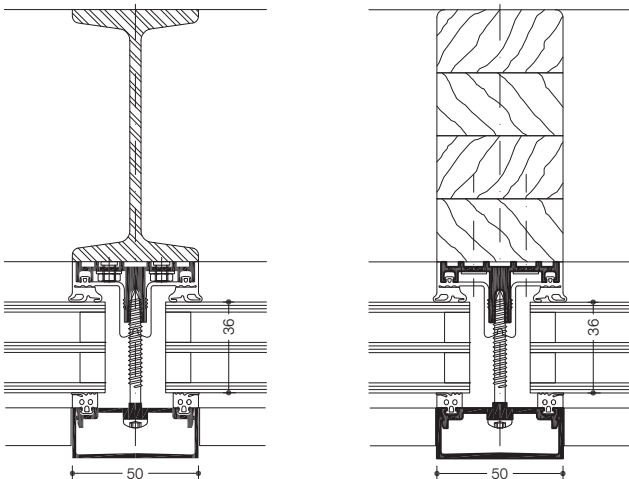
In certain cases, it is aesthetically or structurally beneficial to design a curtain wall with supporting structures made from wood or steel. WICTEC 50A is a mounting option which makes it possible to directly install the glazing on such supporting structures. WICTEC offers a free choice of supporting material – aluminium, wood or steel – using the same glazing technology and creating an identical outer appearance.

Technical performance:

System width: 50 mm
Supporting frames: from 50 mm width
Structural profiles: Wood profiles
Steel tubes
Open steel profiles

System technology:

- Free choice of material (wood or steel), for profile widths from 50 mm
- Same interface profile for mullions and transoms
- Overlapping via vertical and horizontal single-piece sealing gaskets with different drainage levels
- Simple and efficient screw fixing of the aluminium profiles
- Alternatively, using steel studs for steel tubes with a wall thickness from 4 mm
- Ideal for vertical and polygon façades, sloped glazing and spatial structures
- External glazing, with visible or concealed fixings



**System test results / CE product pass
in accordance with DIN EN 13830**

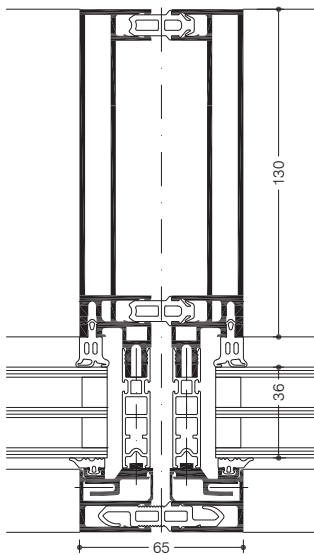
Air permeability:	Class AE
Water tightness:	RE 1200
Resistance to wind load:	2000 / -3200 Pa, security 3000 / -4800 Pa
Impact resistance:	Class E5 / I5
Burglar resistance:	RC1N, RC2N, RC2
Bullet resistance:	FB4
Quality assurance:	Certified according to ISO 9001:2008
Environmental management:	Certified according to ISO 14001



» WICTEC 50EL Unitised curtain wall

WICTEC 50EL is a unitised version of the WICTEC 50 stick system. This range combines the advantages of the stick system structure with the assembly benefits of unitised curtain walling, and creates extremely narrow sight lines of only 50 or 65 mm.

The external profiles are mitre cut, achieving a particularly elegant “picture frame” appearance. Where there are stringent requirements pertaining to thermal insulation, WICTEC 50 EL offers the appropriate solution.



System test results / CE product pass in accordance with DIN EN 13830

Air permeability:	Class AE
Water tightness:	RE 1200
Resistance to wind load:	2000 / -3200 Pa, security 3000 / -4800 Pa
Impact resistance:	Class E5 / I5
Quality assurance:	Certified according to ISO 9001:2008
Environmental management:	Certified according to ISO 14001



Technical performance:

System width:	50 mm for integral fenestration and 65 mm for coupled frames
Profile depth:	195 mm to 213 mm
Thermal insulation:	U_f up to 1.4 W/(m ² K) horizontally and U_f up to 1.5 W/(m ² K) vertically
Infill thickness:	up to 44 mm
Unit sizes:	(w x h) up to 3000 mm x 3500 mm, up to 1500 mm width without integrated mullions

System technology:

- WICTEC 50EL is a basic unitised system and can be adapted individually to meet specific project requirements
- The complete units are produced in the workshop, avoiding the influence of weather conditions and assuring a constantly high level of quality
- Fast, efficient and projectable assembly on site
- Aluminium profiles using mullion-transom technology, with insulating profiles that provide a high level of thermal insulation
- Narrow sight lines for maximum transparency
- Mullions and transoms have the same profile depth
- Efficient thermal performance, up to $U_f = 1.4$ W/(m²K)
- Reliable corner connection with systemised brackets
- Fast and easy installation on site using a dedicated anchor system

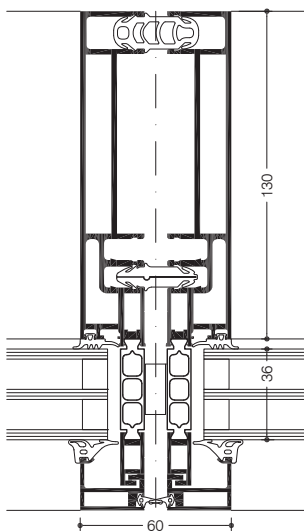


» WICTEC EL60
Unitised curtain wall



WICTEC EL60 is a slimline unitised curtain wall system, with reduced sight lines of just 60 mm both inside and outside. The external profiles are mitre cut, achieving a particularly elegant “picture frame” appearance.

With optimised thermal insulation, the system leads the way with outstanding U_{cw} values of up to 0.9 W/(m²K).



**System test results / CE product pass
in accordance with DIN EN 13830**

Air permeability:	Class AE
Water tightness:	RE 1200
Resistance to wind load:	2000 / -3200 Pa, security 3000 / -4800 Pa
Impact resistance:	Class E5 / I5
Quality assurance:	Certified according to ISO 9001:2008
Environmental management:	Certified according to ISO 14001

Technical performance:

- System width: 60 mm
- Profile depth: 198 mm
- Thermal insulation: U_f for integral fenestration up to 1.6 W/(m²K),
 U_f for frame combinations up to 1.8 W/(m²K) and U_{cw} up to 0.9 W/(m²K)
- Infill thickness: Up to 36 mm as standard system (greater on request)
- Unit sizes: (w x h) up to 2800 mm x 3500 mm, up to 1500 mm width without integral mullions

System technology:

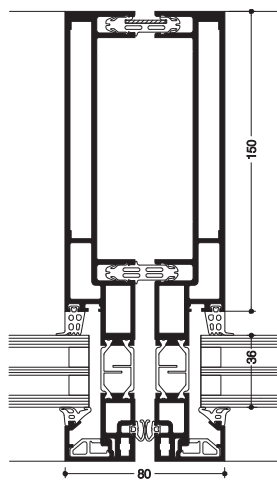
- WICTEC EL60 is a basic unitised system and can be adapted individually to meet specific project requirement
- The complete units are produced in the workshop, avoiding the influence of weather conditions and assuring a constantly high level of quality
- Fast, efficient and projectable assembly on site
- Aluminium composite profiles with excellent thermal insulation, from quality-assured and monitored production
- Slim sight lines of only 60 mm, for both integral fenestration and coupled frames
- Mullions and transoms have the same profile depth
- Reliable corner bracket connections
- Fast and easy installation on site using a dedicated anchor system



» WICTEC EL evo Unitised curtain wall

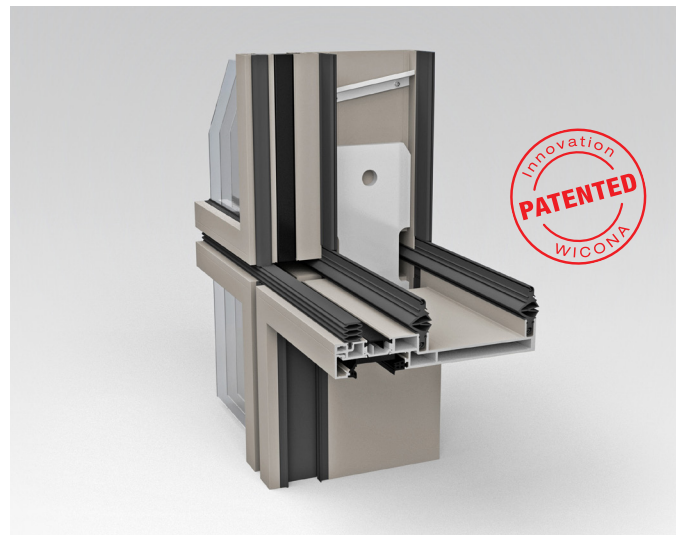
WICTEC EL evo is an innovative unitised curtain wall system that can be individually adapted to project-specific requirements. Elements are manufactured in controlled workshop environments without being affected by external factors such as the weather, resulting in consistently high quality. Fast, efficient and projectable assembly on site.

Aluminium composite profiles with excellent thermal insulation, from quality-assured and monitored production. All new drainage system accommodating slab edge deflections using patented "spring gasket" technology at horizontal joints between elements without compromising the profile design. This allows narrow frame sight lines to be used, even with extreme building movements.



System test results / CE product pass in accordance with DIN EN 13830

Air permeability:	Class AE
Water tightness:	RE 1200
Resistance to wind load:	2000 / -3200 Pa, security 3000 / -4800 Pa
Impact resistance:	Class E5 / I5
Quality assurance:	Certified according to ISO 9001:2008
Environmental management:	Certified according to ISO 14001



Technical performance:

WICTEC EL evo unitised façade system

- Module dimensions (w x h): up to 3000 mm x 3500 mm
- Slim sight lines
- Same profile depth for mullions and transoms
- Aluminium composite profiles with 2 steps of thermal insulation
- External glazing beads with mitred corners for a picture frame appearance
- 20 mm nominal horizontal joints, accommodating +/- 10 mm slab deflections
- 10 mm and 20 mm nominal vertical joint options
- Broad range of applications, allowing short delivery times and consequently short execution times
- Fast, efficient and projectable installation on site

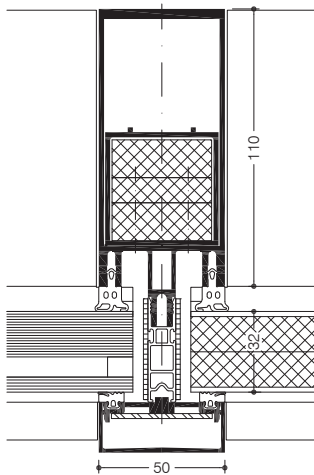
Spring gasket

- Patented expansion joint gasket allows compensation of building tolerances and slab deflections up to +15 / -12 mm, independent of the profile design
- Hollow chamber gasket for stable mounting position
- "Concertina" construction of the gasket allows the absorption of building deformations up to 27 mm
- The universal usage of the gasket avoids time and cost consuming production for individual project gaskets
- Hooking area of the gasket ensures a tight fit and a safe assembly. Hence, process reliability and quality on the construction site are improved



» WICTEC 50FP / WICTEC 60FP Fire protection curtain wall

WICTEC 50FP and WICTEC 60FP fire protection curtain wall provides performance when needed in areas such as stairwells, extensions, hallways and glazed roofs, in accordance with classifications G30 / F30 (DIN) and EI 30 / EI 60 (EN). All architectural concepts of WICTEC 50 and WICTEC 60 can be realised and adapted to provide the necessary fire protection requirements, as well as being seamlessly integrated into standard façades where fire protection is not required.



System test results / CE product pass in accordance with DIN EN 13830

Air permeability:	Class AE
Water tightness:	RE 1200
Resistance to wind load:	2000 / -3200 Pa, safety 3000 / -4800 Pa
Impact resistance:	Class E5 / I5
German approval:	For vertical curtain wall and overhead glazing in accordance with F30 and G30
Quality assurance:	Certified according to ISO 9001:2008
Environmental management:	Certified according to ISO 14001

△ Approval in accordance with national regulations



Technical performance:

System width:	50 mm / 60 mm
Basic system:	WICTEC 50 / WICTEC 60
Fire protection classes:	G30 / F30 (DIN) EI 30 / EI 60 (EN)
Infill dimensions:	Portrait format up to 1800 mm x 3000 mm Landscape format up to 2400 mm x 1400 mm
Height of façade:	up to 5000 mm
Polygon façade:	up to ± 5°
Infill thickness:	F30 / G30: up to 38 mm, EI 30 / EI 60: up to 57 mm

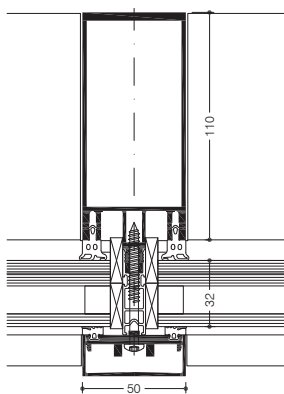
System technology:

- For vertical and overhead glazing (fire protection up to 0° inclination)
- Slim sight lines: 50 mm or 60 mm
- Compatible and structurally identical with WICTEC 50 and WICTEC 60 standard systems
- Infills: glass or panel
- Extended freedom in design with large infill dimensions possible
- Suitable for internal and external applications
- The WICONA fire protection parapet, in resistance class W90, offers the appropriate solution to prevent fire flashover with standard façades.
- Can also be combined with WICSTYLE 77FP fire protection doors and WICLINE 75FP fire protection windows

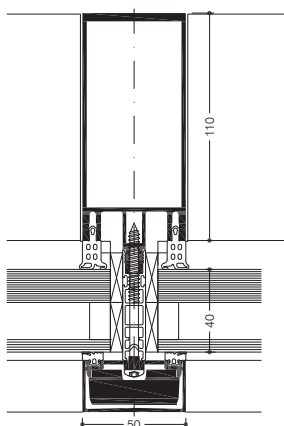


» WICTEC Burglar resistant curtain wall system

For personal security and building protection, you need fenestrations solutions that all provide the same level of security in a wholistic and compatible way. With WICONA, each of our products, from curtain walls to windows and doors, call all provide burglar resistance, in combination with other additional functionalities. Various levels of resistance classes can be achieved using WICTEC stick curtain wall with only minimal additions to the standard design and without visually changing the overall construction.



WICTEC 50 RC2



WICTEC 50 RC3

System test results/CE product pass in accordance with DIN EN 13830

See classification of the respective WICTEC curtain wall series.



Technical performance:

Test results of the WICONA window series:

- The test results of the WICTEC curtain wall series have been assigned according to the new standard EN 1627. They can easily be specified and implemented without any additional measurement according to this new standard.

Burglar resistance according to EN 1627 / DIN 1627 / classifications:

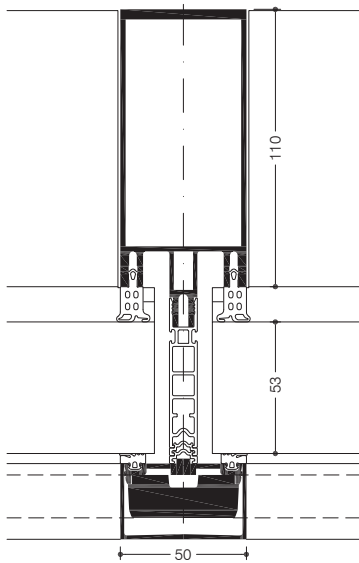
WICTEC 50	RC1N, RC2N, RC2, RC3
WICTEC 60	RC1N, RC2N, RC2, RC3
WICTEC 50 Passive house curtain wall	RC1N
WICTEC 50 Integrated pressure profile	RC1N
WICTEC 50A Add-on curtain wall	RC1N, RC2N, RC2

⚠ Approval in accordance with national regulations

» WICTEC Bullet resistant curtain wall system

For personal security and building protection, you need fenestrations solutions that all provide the same level of security in a wholistic and compatible way. With WICONA, each of our products, from curtain walls to windows and doors, call all provide bullet resistance, in combination with other additional functionalities.

The requirements for bullet resistance are achieved with WICTEC curtain wall series, simply by introducing special aluminium plates within the standard construction.



System test results/CE product pass in accordance with DIN EN 13830

See classification of the respective WICTEC curtain wall series.



Technical performance:

Bullet resistance according to DIN EN 1522:

- The WICTEC curtain wall series have been tested according to this standard in various profile combinations and been successfully certified to class FB4.

Possible combinations with other WICONA product series to bullet resistance class FB4:

- Doors WICSTYLE 65 evo/WICSTYLE 75 evo
- Windows WICLINE 65 evo/WICLINE 75 evo

Bullet resistance according to DIN EN 1522/classifications:

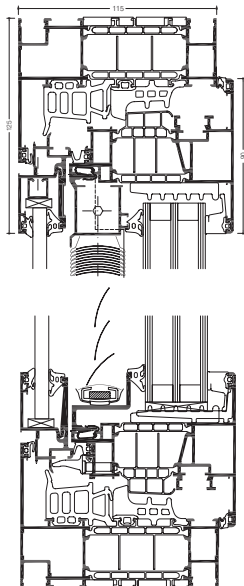
WICTEC 50	FB4
WICTEC 60	FB4

⚠ Approval in accordance with national regulations

» WICLINE 115 AFS Composite window system

With its new composite window system WICLINE 115 AFS, WICONA provides architects, planners and fabricators the solution for sophisticated projects with particularly high demands on thermal performance, acoustic insulation and sun protection – suited for both new build and renovations.

The WICLINE 115 AFS composite window system combines an internal and external sash, creating a cavity between the two, which improves the system's thermal and acoustic performance without additional measures.



System test results / CE product pass in accordance with EN 14351-1:2010-08

Description	Standard	Class
Thermal insulation U_f	EN ISO 10077-2	1.1 – 1.3 W/(m ² K)
Thermal insulation U_w	EN ISO 10077-1	below 0.80 W/(m ² K)*
Sound insulation $R_w (C; C_{tr})$	EN ISO 717-1	up to 50 (-1;-4) dB
Air tightness	EN 12207	4
Water tightness	EN 12208	up to E1200
Wind tightness	EN 12210	up to C5/B5
Mechanical durability	EN 13115	up to 4
Durability repeat opening	EN 12400	up to 3

* for a window size of 1230 mm x 1480 mm and $U_g = 0.6$ W/(m²K), $\psi = 0.031$ W/(mK)



Technical performance:

Profile technology:

- Profile depth: 115 mm
- Construction depth: 125 or 135 mm
- Infill thickness up to 48 mm (58 mm) and up to 100 mm with fixed glazing
- Pressure compensation of the cavity
- Optimised condensation performance within the cavity, officially confirmed by CSTB Institute in France (Centre Scientifique et Technique du Bâtiment)
- Concealed blind system which is protected against weather conditions and dirt, no daylight penetration on the sides
- Highest operating comfort
- Easy installation, maintenance and cleaning due to independently operable outer sash
- Optional sash with universal zone for sun protection

Profile sightlines:

- Frame profiles from 84 mm up to 94 mm
- Transom profile from 128 mm up to 158 mm
- Sash profile 35 mm

Thermal performance:

- U_w values below 0.80 W/(m²K) with a 115-mm frame depth and a sleek sight line of only 125 mm, a unit size of 1230 mm x 1480 mm and U_g value of 0.60 W/(m²K) at 0.031 W/(mK) psi

Sound insulation:

- Up to 50 dB (Sound insulation glazing inside, single glazing outside)
- Up to 43 dB (Insulated glazing inside, single glazing outside)

Hardware:

- High quality concealed hardware with DPS (Direct Positioning System). Components can be installed in any order. Sash weights up to 200 kg with visible or concealed hinges
- Sash weight up to 200 kg
- Sash sizes (w x h): up to 1200 mm x 2500 mm

Opening types:

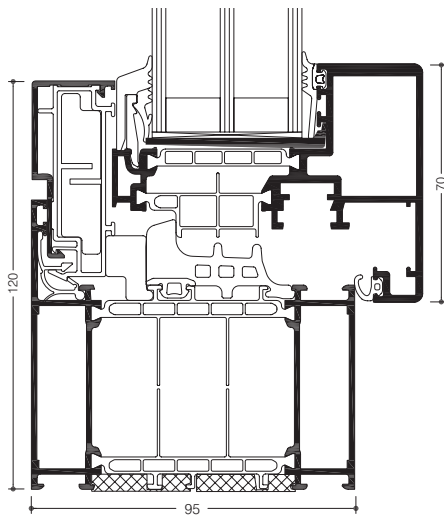
- Turn, turn-tilt, tilt, tilt-first, fixed field

» WICLINE 95

Passive house certified window system

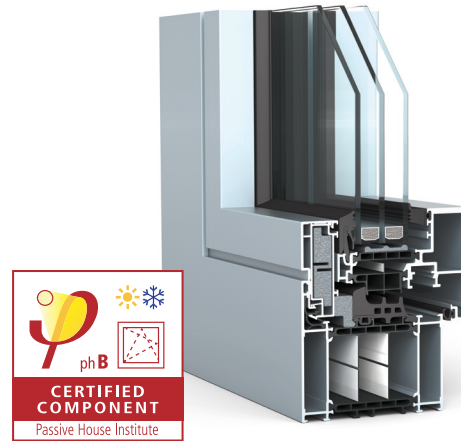
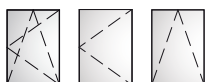
WICLINE 95 meets the high requirements of Dr. Feist Passive House Institute in Darmstadt, Germany, and due to its intelligent modular design offers maximum flexibility.

In WICLINE 95 the thermoframe insulator sits inside the window and can be finished as a sash-frame and conveniently installed by the installer using intelligent clip-in technology. This allows a variable setting of the U_f value of the window.



System tests / CE-marked product passport according to EN 14351-1:2006+A2:2016

Air permeability:	Class 4
Waterproofing against driving rain:	E900
Resistance to wind load:	Class C5/B5
Soundproofing:	$R_w (C;C_{tr}) = 47 (-1; -4)$ dB
Operating forces:	Class 1
Mechanical strength:	Class 4
Continuous operation:	Class 3 (20 000 cycles)
Corrosion resistance of fittings:	Class 5
Burglar resistance:	RC1N, RC2N, RC2, RC3
Quality management:	Certified to DIN EN ISO 9001:2008



Technical performance:

Profile technology:

- Highly thermally-insulated multi-chamber system with ETC Intelligence® thermal break zone, passive house certified to efficiency class phB.
- Patented corner and butt joint technology for high rigidity of components
- Infill thickness up to 55 mm

Thermal insulation:

- U_f values 0.68 to 0.91 $W/(m^2K)$ for fixed glazed units with external sight lines from 65 to 180 mm
- U_f values 0.75 to 0.88 $W/(m^2K)$ for sash-frame combinations with external sight lines from 105 to 260 mm
- Passive house efficiency class phB, U_w and $U_f = 0.80 W/(m^2K)$ with sightlines of only 125 mm and 95 mm sash-frame installation depth

Gasket concept:

- Central gasket in three variants:
 - Circumferential installation without corner pieces
 - With formed corners, no adhesive required
 - Corner vulcanised frames

Hardware:

- Concealed hardware.
- Optionally:
 - Visible hinges, coated or anodized in all colours
 - Concealed hinges with integrated end position damping, opening angle max. 105°
- Sash weights up to 160 kg with visible or concealed hinges
- Sash sizes (w x h): up to 1300 mm x 2250 mm,
- Optional opening limiter

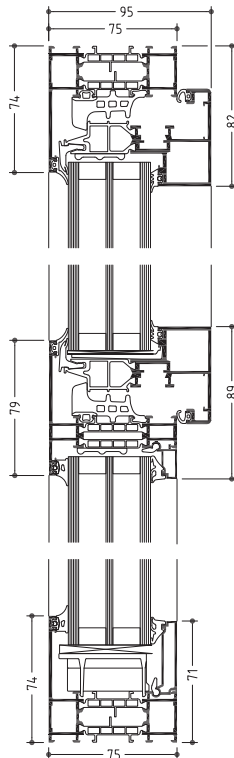
System combinations:

- Fully integratable into WICTEC façades using integration sash frames.

» WICLINE 75 MAX
Maximum design
Maximum sustainability

The new concealed sash of the WICLINE 75 MAX makes the difference between an opening field and a fixed field disappear from the outside. Concealed hinges and fittings, as well as the new concealed handle, ensure clear, uninterrupted lines, also from the inside.

“MAX” stands for top innovation and the triple performance spectrum of a harmonious appearance, greater light and comfort, and a system containing a high recycled content.



System tests / CE-marked product passport according to EN 14351-1:2006+A2:2016

Air permeability:	Class 4
Water tightness:	E750
Resistance to wind load:	Class C5/B5
Acoustic performance:	R_w up to 48 dB
Operating forces:	Class 1
Mechanical strength:	Class 4
Repeated opening/closing:	Class 2 (10 000 cycles)
Impact resistance:	Class 2



Technical performance:

Profile technology:

- Frame depth: 75 mm
- Frame rebate height: 44 mm
- Overall construction depth of profile system: 95 mm
- Max. sash width: up to 1400 mm
- Max. sash height: up to 2250 mm
- Infill thickness up to 50 mm

Profile sightlines:

- Frame profiles: 74 mm
- Transom profiles: 79 mm
- Sash profiles, concealed: 57 mm (internal sightline)

Thermal insulation:

- U_w value up to 0.81 W/(m²K)
for a standard window size of 1230 mm x 1480 mm,
 $U_g = 0.5$ W/(m²K)

Types of opening:

- Side-hung window, turn-tilt window, bottom-hung window, tilt-first window

The window handle is hidden in the sash, adding to the harmonious appearance of the window.

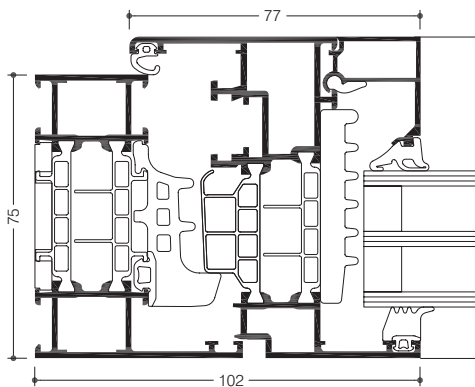
This innovative design idea was awarded prizes from the international expert juries of the **iF DESIGN AWARD 2018**, the **Red Dot Design Award 2018** and the **GERMAN DESIGN AWARD 2019**.



» WICLINE 75 TOP Casement window

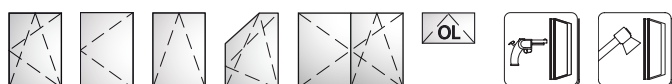


WICLINE 75 TOP is a highly thermally insulating window system with optimal performance, reliable fabrication and performance figures at passive house levels – combined with the familiar slim-line appearance of a 75 mm window system.



System tests / CE-marked product passport according to EN 14351-1:2006+A2:2016

Air permeability:	Class 4
Water tightness:	E900
Resistance to wind load:	Class C5/B5
Acoustic performance:	$R_w (C;C_{tr}) = 47 (-1;-4)$ dB
Operating forces:	Class 1
Mechanical strength	Class 4
Continuous operation:	Class 3 (20 000 cycles)
Corrosion resistance of fittings:	Class 5
Burglar resistance:	RC1N, RC2N, RC2, RC3
Bullet resistance:	FB4 S, FB4 NS (depending on profile combinations)
Quality management:	Certified to DIN EN ISO 9001:2008



Technical performance:

Profile technology:

- Highly thermally insulated multi-chamber system with ETC Intelligence® thermal break zone, which implements window designs with only 75 mm frame depth to passive house standards.
- Patented corner and butt joint technology for high rigidity of components
- Infill thickness up to 65 mm

Thermal insulation:

- U_f values 0.79 to 1.3 W/(m²K) for fixed glazed units with external sight lines from 48 to 155 mm
- U_f values 1.0 to 1.2 W/(m²K) for sash-frame combinations with external sight lines from 74 to 142 mm
- U_w values less than 0.80 W/(m²K)

Gasket concept:

- Central gasket in three variants:
 - Circumferential installation without corner pieces
 - With formed corners, no adhesive required
 - Corner vulcanised frames

Hardware:

- Concealed hardware.
- Optional:
 - Visible hinges, coated or anodised in all colours
 - Concealed hinges with integrated end position damping, opening angle max. 105°
- Sash weights:
 - Concealed hinges: up to 160 kg
 - Visible hinges: up to 200 kg
 - On request: up to 300 kg
- Sash sizes (w x h): up to 1700 mm x 2500 mm, Skylights up to 2500 mm x 1700 mm
- Optional opening limiter

Additional designs:

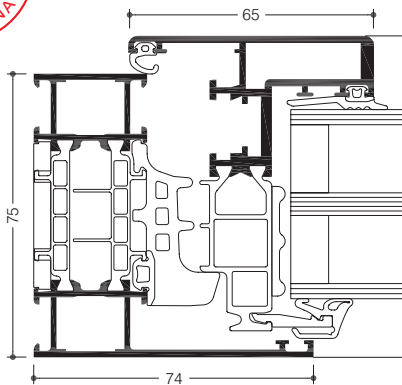
- Concealed sash, infill thicknesses up to 50 mm
- Integration frame for mullion/transom curtain walling
- Skylight with manual lever, crank handle or motor

System combinations:

- WICLINE 75 TOP windows can be combined with WICLINE 75 evo windows, WICSTYLE 75 evo doors and using integration sash-frames, with current WICTEC curtain walling

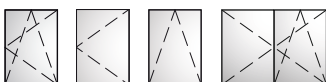
» WICLINE 75 TOP Concealed sash

In the concealed sash variant of the WICLINE 75 TOP aluminium window system the glass is held directly in the thermal break zone by a special glazing bead. This gives extremely slim frame profiles which also have excellent insulation values and joint-free external frame sight lines. The improved ratio of frame to glazing proportions enable U_w values to passive house standard, and increased light transmission with panoramic views.



System tests / CE-marked product passport according to EN 14351-1:2006+A2:2016

Air permeability:	Class 4
Water tightness:	E900
Resistance to wind load:	Class C5/B5
Acoustic performance:	$R_w (C;C_{tr}) = 46 (-1;-4)$ dB
Operating forces:	Class 1
Load capacity of safety precautions:	Fulfilled
Mechanical strength:	Class 4
Continuous operation:	Class 3 (20 000 cycles)
Corrosion resistance of fittings:	Class 5
Burglar resistance:	RC1N, RC2N, RC2, RC3
Quality management:	Certified to DIN EN ISO 9001:2008



Technical performance:

Profile technology:

- Highly thermally insulated multi-chamber system with ETC Intelligence® thermal break zone, which implements window designs with only 75 mm frame depth to passive house standard.
- Patented corner and butt joint technology for high rigidity of components
- Infill thickness up to 50 mm

Thermal insulation:

- U_i values 0.97 to 1.3 W/(m²K) for fixed glazed units with external sight lines from 48 to 155 mm
- U_f values up to 1.2 W/(m²K) for sash-frame combinations with external sight lines from 74 to 142 mm
- U_w values less than 0.80 W/(m²K)

Gasket concept:

- Central gasket in three variants:
 - Circumferential installation without corner pieces
 - With formed corners, no adhesive required
 - Corner vulcanised frames

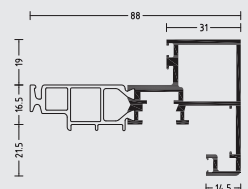
Hardware:

- Concealed hardware.
- Optional:
 - Visible hinges, coated or anodised in all colours
 - Concealed hinges with integrated end position damping, opening angle max. 105°
- Sash weights:
 - Concealed hinges: up to 130 kg
 - Visible hinges: up to 130 kg
- Sash sizes (w x h): up to 1300 mm x 2250 mm
- Optional opening limiter

System combinations:

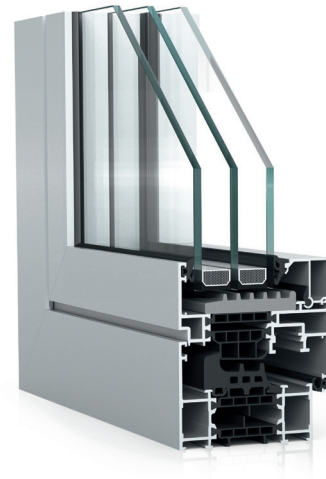
- WICLINE 75 TOP windows can be combined with WICLINE 75 evo windows, and using integration sash-frames, with current WICTEC curtain walling

Now also available with WICONA's award-winning concealed handle in combination with profile 1010615:

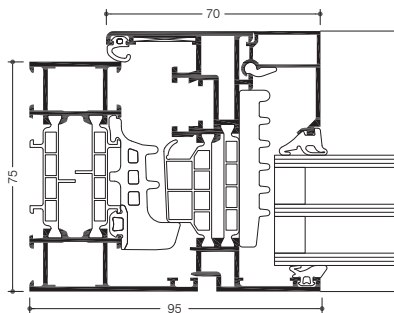


WICLINE 75 TOP
1010615 (36 to 46 mm infill)

» WICLINE 75 evo

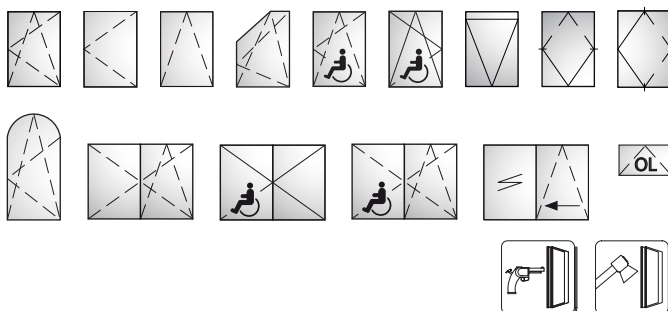


With 75 mm profile depth, WICLINE 75 evo features the highest thermal insulation properties and structural characteristics. With its superior technical performance this aluminium window is at-tuned to all architectural requirements of the future. In Switzerland WICLINE 75 evo has been the first metal window to be certified as Minergie-P module window.



System test results / CE product pass in accordance with EN 14351-1:2006+A2:2016

Air permeability:	Class 4
Water tightness:	E900
Resistance to wind load:	Class C5 / B5
Acoustic performance:	$R_w (C; C_{tr}) = 47 (-1; -4)$ dB
Operating forces:	Class 1
Load bearing capacity of safety devices:	Fulfilled
Mechanical strength:	Class 4
Repeated opening / closing:	Class 3 (20 000 cycles)
Corrosion resistance of the fittings:	Class 5
Burglar resistance:	RC1N, RC2N, RC2, RC3
Bullet resistance:	FB4 S, FB4 NS (depending on the profile combination)
Quality assurance:	Certified according to ISO 9001:2008
Environmental management:	Certified according to ISO 14001



Technical performance:

Profile technology:

- High insulation multi-chamber system in symmetric design, quality assured thermal insulator connection
- Patented corner and butt joint connection technology for high rigidity of frames and sashes
- Infill thickness up to 69 mm

Thermal insulation:

- U_f values: up to 1.2 W/(m²K)
- U_w values: up to 0.87 W/(m²K) for sashes, up to 0.72 W/(m²K) for fixed glazing, with triple glazing
- Certified as Minergie-P module U_w 0.8 W/(m²K)

Gasket concept:

- Central gasket in three variants:
 - Circumferential installation without corner pieces
 - With formed corners, no adhesive required
 - Corner vulcanised frames

Hardware:

- Heavy duty system hardware with:
 - Visible hinges, powder coating or anodisation in all colours
 - Concealed hinges with integrated end position damping, opening angle max. 105°
- Sash weight:
 - Concealed hinges: up to 160 kg
 - Visible hinges: up to 200 kg
 - On demand: up to 300 kg
- Sash sizes (w x h): 1700 mm x 2500 mm, fanlight 2500 mm x 1700 mm
- Optional opening limiter

Additional designs:

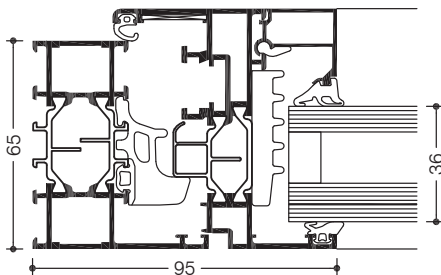
- Concealed sash
- Classic design
- Integration frame for stick façades
- Fanlight with hand lever, cranked rod or motor
- Pivot window, horizontal or vertical
- Parallel sliding window, with or without force operation
- Italian style window
- Top-hung window
- Window doors with barrier free threshold, single or double casement door, inward and outward opening

Compatible with the door series WICSTYLE 65 evo and WICSTYLE 75 evo

» WICLINE 65 evo



State of the art technology and a comprehensive profile range make the aluminium window system WICLINE 65 evo a perfect all-rounder with a versatile spectrum of applications. With a construction depth of only 65 mm, this system meets high standards of thermal and sound insulation. WICLINE 65 evo offers a very attractive price / performance ratio.



System test results / CE product pass in accordance with EN 14351-1:2006+A2:2016

Air permeability:	Class 4
Water tightness:	E900
Resistance to wind load:	Class C5 / B5
Acoustic performance:	$R_w (C; C_{tr}) = 47 (-1; -4) \text{ dB}$
Operating forces:	Class 1
Load bearing capacity of safety devices:	Fulfilled
Mechanical strength:	Class 4
Repeated opening / closing:	Class 3 (20 000 cycles)
Corrosion resistance of the fittings:	Class 5
Burglar resistance:	RC1N, RC2N, RC2, RC3
Bullet resistance:	FB4 S, FB4 NS (depending on the profile combination)
Quality assurance:	Certified according to ISO 9001:2008
Environmental management:	Certified according to ISO 14001

Technical performance:

Profile technology:

- High insulation multi-chamber system in symmetric design, quality assured thermal insulator connection
- Patented corner and butt joint connection technology for high rigidity of frames and sashes
- Infill thickness up to 59 mm

Thermal insulation:

- U_f values: up to $1.4 \text{ W}/(\text{m}^2\text{K})$
- U_w values: up to $0.93 \text{ W}/(\text{m}^2\text{K})$ with triple glazing

Gasket concept:

- Central gasket in three variants:
 - Circumferential installation without corner pieces
 - With formed corners, no adhesive required
 - Corner vulcanised frames

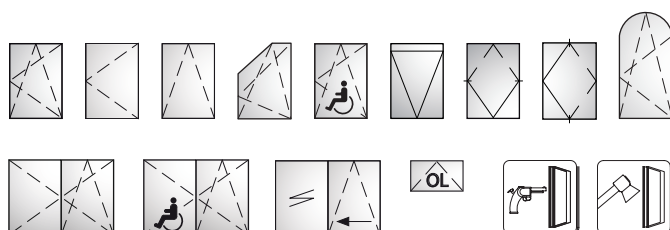
Hardware:

- Heavy duty system hardware with:
 - Visible hinges, powder coating or anodisation in all colours
 - Concealed hinges with integrated end position damping, opening angle max. 105°
- Sash weight:
 - Concealed hinges: up to 160 kg
 - Visible hinges: up to 200 kg
 - On demand: up to 300 kg
- Sash sizes (w x h): 1700 mm x 2500 mm, fanlight 2500 mm x 1700 mm
- Optional opening limiter

Additional designs:

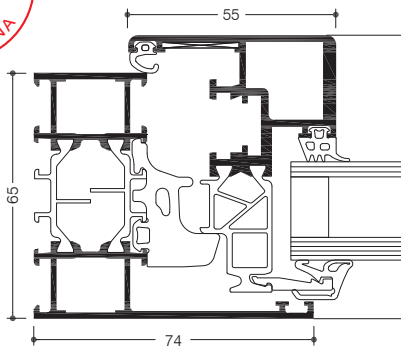
- Concealed sash
- Classic design
- Integration frame for stick façades
- Fanlight with hand lever, cranked rod or motor
- Pivot window, horizontal or vertical
- Parallel sliding window, with or without force operation
- Italian style window
- Top-hung window
- Window doors with barrier free threshold, single or double casement door, inward and outward opening

Compatible with the door series WICSTYLE 65 evo and WICSTYLE 75 evo



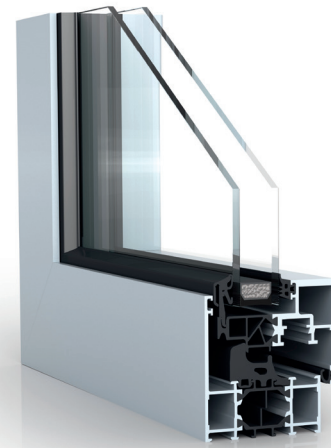
» WICLINE 65 evo / 75 evo Concealed sash

The option "Concealed Sash" in the aluminium window system WICLINE evo features a special glazing bead fixed directly in the thermal break zone. As a result the system achieves an extremely slim frame elevation, superior thermal insulation values and a sleek profile design from outside. The improved ratio between frame and glazing surfaces leads to very good U_w values, increased light transmissions and panoramic views.



System test results / CE product pass in accordance with EN 14351-1:2006+A2:2016

Air permeability:	Class 4
Water tightness:	E1200
Resistance to wind load:	Class C5 / B5
Operating forces:	Class 1
Load bearing capacity of safety devices:	Fulfilled
Mechanical strength:	Class 4
Repeated opening / closing:	Class 2 (10 000 cycles)
Impact resistance:	Class 3
Corrosion resistance of the fittings:	Class 5
Burglar resistance:	RC1N, RC2N, RC2, RC3
Quality assurance:	Certified according to ISO 9001:2008
Environmental management:	Certified according to ISO 14001



Technical performance:

Profile technology:

- High insulation multi-chamber system in symmetric design, quality assured thermal insulator connection
- Patented corner and butt joint connection technology for high rigidity of frames and sashes
- Infill thickness up to 42 mm

Thermal insulation:

- U_f values: up to 1.5 W/(m²K)
- U_w values: up to 0.94 W/(m²K) with triple glazing

Gasket concept:

- Central gasket in three variants:
 - Circumferential installation without corner pieces
 - With formed corners, no adhesive required
 - Corner vulcanised frames

Hardware:

- Heavy duty system hardware with:
 - Visible hinges, powder coating or anodisation in all colours
 - Concealed hinges with integrated end position damping, opening angle max. 105°
- Sash weight:
 - up to 130 kg
- Sash sizes (w x h): 1400 mm x 2250 mm
- Optional opening limiter

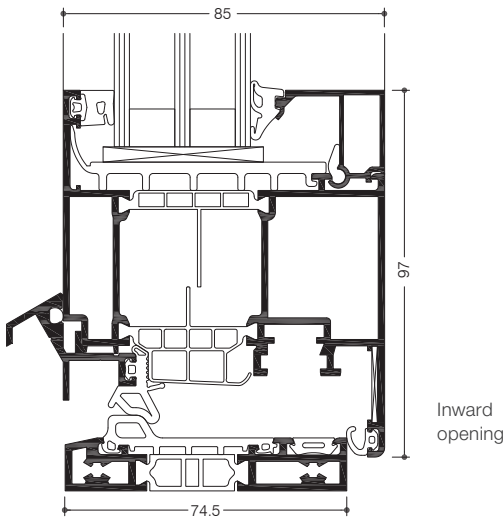
Additional designs in concealed sash design:

- Integration frame for stick façades
- Fanlight
- Burglar resistance (see system tests)

Now also available with WICONA's award-winning concealed handle for profiles 1010615, 1010616 and 1010632.

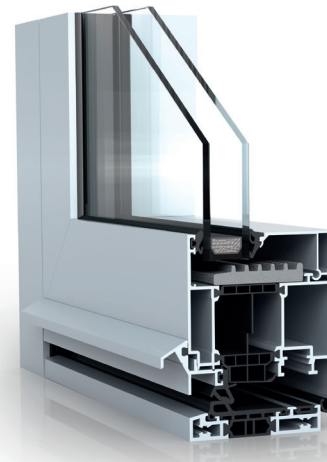
» WICLINE 65 evo / 75 evo
French door, barrier free

With extended sash formats, single or double casement option and barrier free threshold this inward or outward opening aluminium window door offers new freedom in architectural design. Superior technical performance and exemplary thermal insulation set new standards.



System test results / CE product pass in accordance with EN 14351-1:2006+A2:2016

	Inward opening	Outward opening
Air permeability:	Class 4	Class 4
Water tightness:	Single sash: 9A Double sash: 7A	7A
Resistance to wind load:	Up to class C5/B5	Class C3/B3
Operating forces:	Class 1	Class 1
Mechanical strength:	Class 4	Class 4
Corrosion resistance of the fittings:	Class 5	
Repeated opening / closing:	Class 2 (10000 cycles)	Class 2 (10000 cycles)
Quality assurance:	Certified according to ISO 9001:2008	
Environmental management:	Certified according to ISO 14001	



Technical performance:

Profile technology:

- High insulation multi-chamber system in symmetric design, quality assured thermal insulator connection
- Patented corner and butt joint connection technology for high rigidity of frames and sashes
- Infill thickness up to 69 mm
- Barrier free threshold, thermally insulated

Thermal insulation:

- U_f values: up to 1.3 W/(m²K)

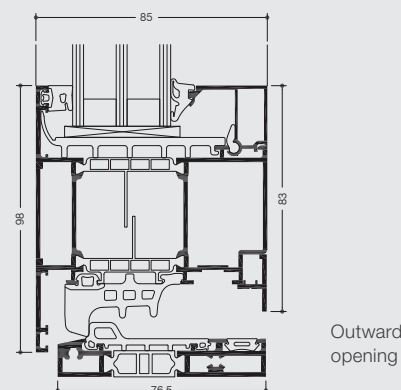
Gasket concept:

- Central gasket in three variants:
 - Circumferential installation without corner pieces
 - With formed corners, no adhesive required
 - Corner vulcanised frames

Hardware:

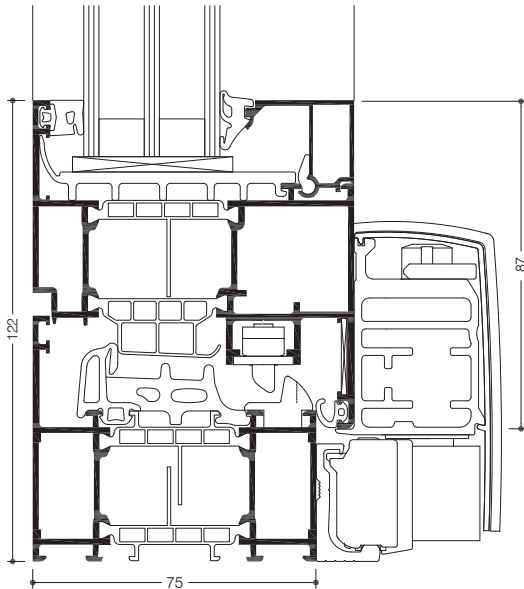
- Inward or outward opening
- Single or double sash option
- Inward opening option with heavy duty hardware, with visible hinges, powder coated or anodised in various colours
- Sash weight:
 - Up to 130 kg
- Sash sizes (w x h):
 - Inward opening: up to 1400 mm x 2500 mm
 - Outward opening: up to 1300 mm x 2250 mm
- Optional opening limiter

Compatible with the door series WICSTYLE 65 evo and WICSTYLE 75 evo



» WICLINE 65 evo / 75 evo Tilt slide window

In this space saving opening version the sash can be tilted or slid away to the side with ease. High operation comfort, secure ventilation positioning and the high technical performance values are characteristic for this opening type of the WICLINE evo aluminium window system.



System test results / CE product pass in accordance with EN 14351-1:2006+A2:2016

Air permeability:	Class 4
Water tightness:	E750
Resistance to wind load:	Class C5 / B5
Operating forces:	Class 1
Mechanical strength:	Class 4
Repeated opening / closing:	Class 2 (10 000 cycles)
Quality assurance:	Certified according to ISO 9001:2008
Environmental management:	Certified according to ISO 14001



Technical performance:

Profile technology:

- High insulation multi-chamber system in symmetric design, quality assured thermal insulator connection
- Patented corner and butt joint connection technology for high rigidity of frames and sashes
- Infill thickness up to 69 mm

Thermal insulation:

- U_f values: up to 1.2 W/(m²K)

Gasket concept:

- Centre gasket with corner vulcanised frames

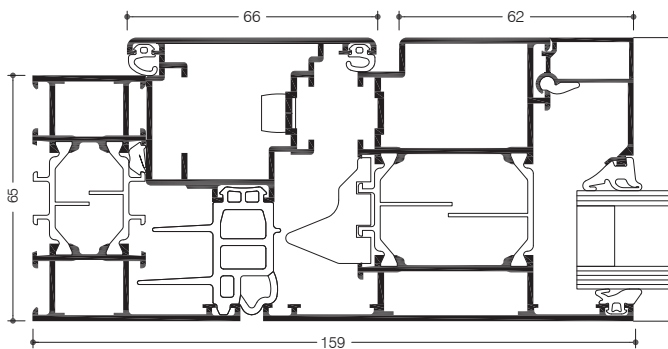
Hardware:

- Tilt slide hardware, optional:
 - Without force operation
 - With force operation (wfo)
- Sash weight:
 - Up to 160 kg
 - Up to 200 kg (wfo)
- Sash sizes (w x h):
 - Up to 1685 mm x 2500 mm
 - Up to 2000 mm x 2700 mm (wfo)

Compatible with the door series
WICSTYLE 65 evo and WICSTYLE 75 evo

» WICLINE 65 evo / 75 evo Horizontal or vertical pivot window

A classic opening type as a state-of-the-art product with WICONA technology: The horizontal and the vertical pivot windows based on the aluminium window system WICLINE evo offer improved thermal insulation, achieve high classifications in CE-testing, and with their option of visible or concealed fittings they are a real visual highlight in any façade.



System test results / CE product pass in accordance with EN 14351-1:2006+A2:2016

	Horizontal	Vertical
Air permeability:	Class 4	Class 4
Water tightness:	E750	4A
Resistance to wind load:	Class C5 / B5	Class C5 / B5
Operating forces:	Class 1	Class 1
Mechanical strength:	Class 4	Class 4
Repeated opening / closing:	Class 2 (10 000 cycles)	Class 2 (10 000 cycles)
Quality assurance:	Certified according to ISO 9001:2008	
Environmental management:	Certified according to ISO 14001	



Technical performance:

Profile technology:

- High insulation multi-chamber system in symmetric design, quality assured thermal insulator connection
- Patented corner and butt joint connection technology for high rigidity of frames and sashes
- Infill thickness up to 69 mm

Thermal insulation:

- U_f values: up to 1.5 W/(m²K)
- U_w values: up to 1.0 W/(m²K) with triple glazing

Gasket concept:

- Centre gasket for superior tightness and improved thermal insulation

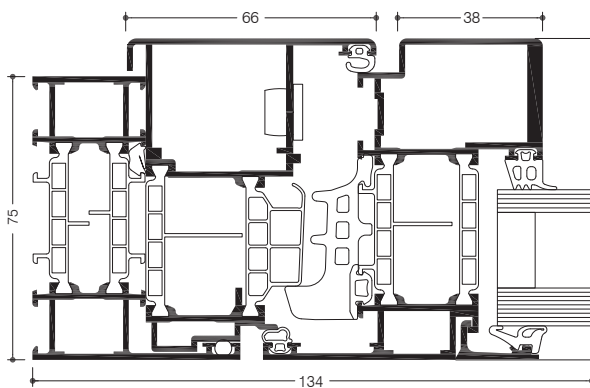
Hardware:

- Horizontal or vertical pivot fittings, visible or concealed
- Sash weight:
 - Horizontal: up to 150 kg
 - Vertical: up to 120 kg
- Sash sizes (w x h):
 - Horizontal: up to 2400 mm x 1400 mm
 - Vertical: up to 2000 mm x 2000 mm



» WICLINE 65 evo / 75 evo
Top-hung outward-projecting window

An elegant appearance combined with efficient ventilation are the characteristics of the aluminium system WICLINE evo in its Italian opening version. Concealed friction stays ensure an outward opening also for large size sashes, with a secure opening fixation in any position. Special frame profiles for curtain wall integration as well as a large selection of friction stay sizes guarantee maximum versatility of the system.



System test results / CE product pass in accordance with EN 14351-1:2006+A2:2016

Air permeability:	Class 4
Water tightness:	E1200
Resistance to wind load:	Class C5 / B5
Operating forces:	Class 1
Mechanical strength:	Class 4
Repeated opening / closing:	Class 2 (10 000 cycles)
Impact resistance:	Class 3
Quality assurance:	Certified according to ISO 9001:2008
Environmental management:	Certified according to ISO 14001



Technical performance:

Profile technology:

- High insulation multi-chamber system in symmetric design, quality assured thermal insulator connection
- Patented corner and butt joint connection technology for high rigidity of frames and sashes
- Infill thickness up to 69 mm

Thermal insulation:

- U_f values: up to 1.5 W/(m²K)
- U_w values: up to 1.0 W/(m²K) with triple glazing

Gasket concept:

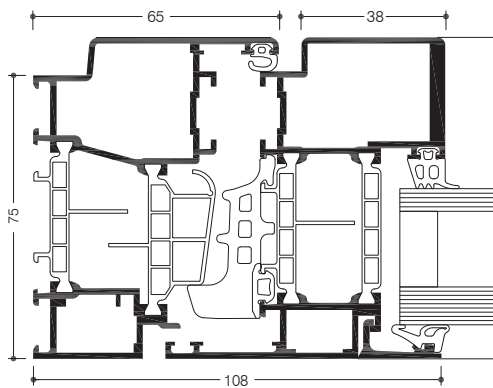
- Centre gasket with formed corners

Hardware:

- Concealed friction stay fittings, with vertical adjustment
- Operation either manual or motorised
- Sash weight: up to 150 kg
- Sash sizes (w x h): up to 2000 mm x 2200 mm

» WICLINE 65 evo / 75 evo
 Outward opening,
 top-hung sash /
 side-hung sash

A sash opening towards the outside offers advantages like effective ventilation, the choice between manual and motorised operation, and avoids a disturbing sash towards the inside. With large sash dimensions available and optimised functionality WICLINE evo offers an interesting alternative opening type for architecture.



Technical performance:

Profile technology:

- High insulation multi-chamber system in symmetric design, quality assured thermal insulator connection
- Patented corner and butt joint connection technology for high rigidity of frames and sashes
- Infill thickness up to 69 mm

Thermal insulation:

- U_f values up to 1.5 W/(m²K)
- U_w values up to 0.94 W/(m²K)

Gasket concept:

- Centre gasket for superior tightness and improved thermal insulation

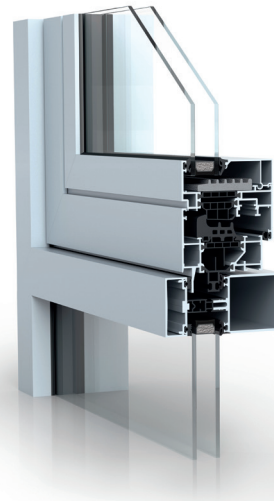
Hardware:

- Externally applied turn hinges, either with
 - top fixation for top-hung opening
 - lateral fixation for side-hung opening
- Operation either manual or motorised
- Sash weight up to 150 kg
- Sash sizes (w x h): up to 2000 mm x 2000 mm

System test results / CE product pass in accordance with EN 14351-1:2006+A2:2016

Air permeability:	Class 4
Water tightness:	E1200
Resistance to wind load:	Class C5 / B5
Operating forces:	Class 1
Load bearing capacity of safety devices:	Fulfilled
Mechanical strength:	Class 4
Repeated opening / closing:	Class 2 (10 000 cycles)
Impact resistance:	Class 3
Quality assurance:	Certified according to ISO 9001:2008
Environmental management:	Certified according to ISO 14001

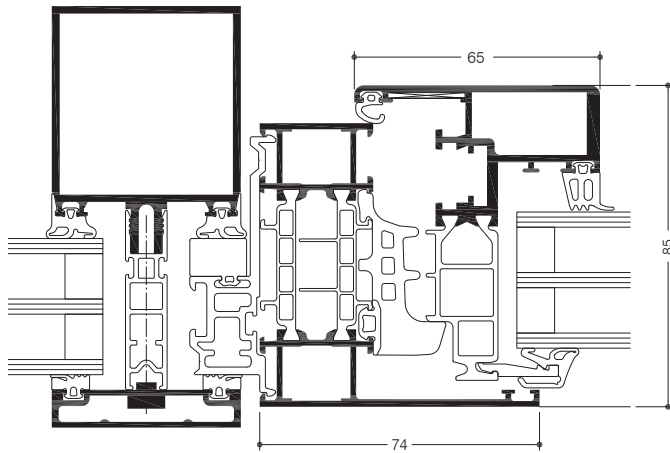




» WICLINE 65 evo / 75 evo Window system for curtain wall integration

The ideal combination: WICTEC stick system curtain walls with integrated opening sashes from the WICLINE window series. These versatile systems, which provide enhanced performance benefits, also offer individual solutions on highest technical and design level, adaptable with a large selection of additional functions.

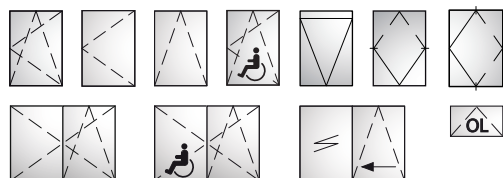
2 |



1 | Example standard sash
2 | Example concealed sash

System test results / CE product pass in accordance with EN 14351-1:2006+A2:2016 and DIN EN 13830

See classification of the WICLINE window series and the WICTEC curtain wall series.



Technical performance:

Profile technology:

- High insulation multi-chamber system in symmetric design, quality assured thermal insulator connection
- Patented corner and butt joint connection technology for high rigidity of frames and sashes
- Infill thickness up to 69 mm

Thermal insulation:

- See values of the respective window and door series

Inward opening options:

- Turn / turn-tilt / tilt window
- Concealed sash
- Horizontal pivot window
- Vertical pivot window
- Burglar resistance

Hardware:

- Heavy duty system hardware with:
 - Visible hinges, powder coating or anodisation in all colours
 - Concealed hinges with integrated end position damping, opening angle max. 105°
- Sash weight:
 - Concealed turn-tilt hinges: up to 160 kg
 - Visible turn-tilt hinges: up to 200 kg
 - Turn hinges (on demand): up to 300 kg
- Sash sizes (w x h): 1700 mm x 2500 mm
- Optional opening limiter

Outward opening options:

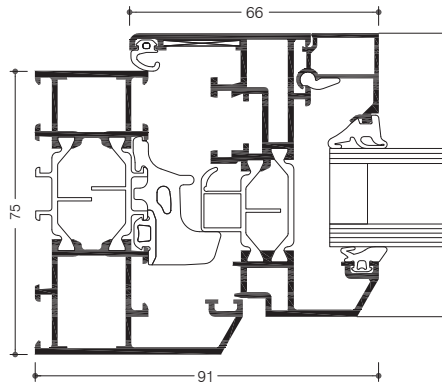
- Top-hung window
- Side-hung window
- Italian window

Hardware:

- Visible hinges top-hung or side-hung
- Concealed hinges Italian style window
- Sash weight: up to 150 kg
- Sash sizes (w x h): up to 2000 mm x 2000 mm

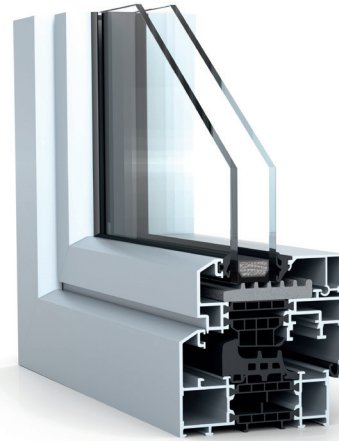
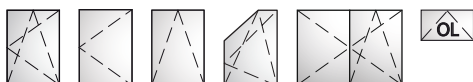
» WICLINE 65 evo / 75 evo Classic design

Bevelled profile contours and overlapping sashes are characteristic of the aluminium window series WICLINE evo in a classic design. This design underlines a style which is often requested for residential architecture. Ideal for new building and for renovations alike.



System test results / CE product pass in accordance with EN 14351-1:2006+A2:2016

Air permeability:	Class 4
Water tightness:	E900
Resistance to wind load:	Class C5/B5
Acoustic performance:	$R_w (C; C_{tr}) = 47 (-1; -4)$ dB
Operating forces:	Class 1
Load bearing capacity of safety devices:	Fulfilled
Mechanical strength:	Class 4
Repeated opening/closing:	Class 3 (20 000 cycles)
Corrosion resistance of the fittings:	Class 5
Burglar resistance:	RC1N, RC2N, RC2, RC3
Quality assurance:	Certified according to ISO 9001:2008
Environmental management:	Certified according to ISO 14001



Technical performance:

Profile technology:

- High insulation multi-chamber system in symmetric design, quality assured thermal insulator connection, with 30° bevelled glazing rebates
- Patented corner and butt joint connection technology for high rigidity of frames and sashes
- Infill thickness up to 59 mm

Thermal insulation:

- U_f values: up to 1.5 W/(m²K)
- U_w values: up to 0.84 W/(m²K) with triple glazing

Gasket concept:

- Central gasket in three variants:
 - Circumferential installation without corner pieces
 - With formed corners, no adhesive required
 - Corner vulcanised frames

Hardware:

- Heavy duty system hardware with:
 - Visible hinges, powder coating or anodisation in all colours
 - Concealed hinges with integrated end position damping, opening angle max. 105°
- Sash weight:
 - Visible hinges: up to 100 kg
 - Concealed hinges: up to 100 kg
- Sash sizes (w x h): 1300 mm x 1700 mm
- Optionally with opening limiter in various executions

Additional options in classic design:

- Flush sash in classic design
- Overlapping sash and frame in classic design
- Fixed glazing
- Double casement window
- Crossbar profiles and glazing bars
- Integration frame for stick façades
- Fanlight
- Burglar resistance (see system tests)

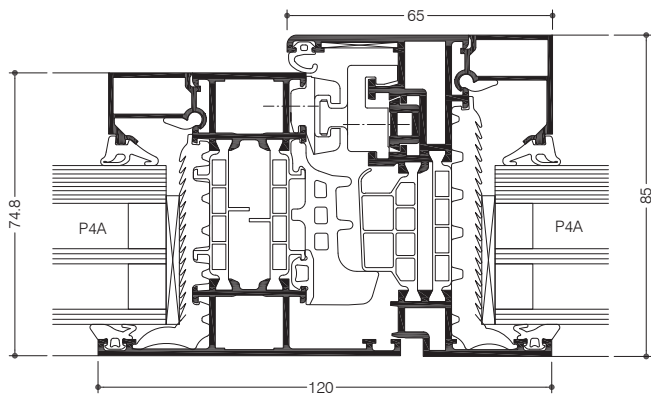
Compatible with the door series WICSTYLE 65 evo and WICSTYLE 75 evo in Classic Design

» WICLINE

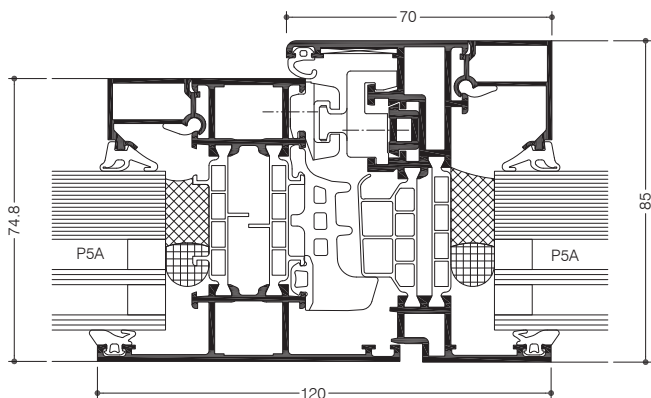
Burglar resistant window system

Personal security and building protection – for your building you need a solution which can be accomplished with aluminium systems in a wholistic and compatible way. This is achieved by the WICONA series for windows, curtain walls and doors. Each of them can provide burglar resistance, in combination with other additional functions.

The various levels of resistance classes can be achieved with all WICLINE window series without visual alterations of the constructions, with only a minimum of additional measures on the basis of the standard design.



WICLINE 75 evo RC2



WICLINE 75 evo RC3

System test results / CE product pass in accordance with EN 14351-1:2006+A2:2016

See classification of the respective WICLINE window series.



Technical performance:

Burglar resistance according to EN 1627:

- The currently valid standard for burglar resistance, EN 1627, has come into effect in European countries in 2011 and 2012. It replaced former national standards. The classifications have been modified to classes RC1N to RC3, which are not identical with the former classes WK1 to WK3.

Test results of the WICONA window series:

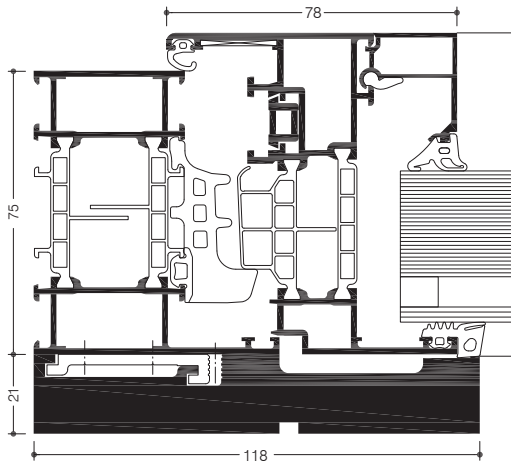
- The new WICLINE 65 evo and WICLINE 75 evo series with several variations have been tested according to the new standard EN 1627. They can easily be specified and implemented without any additional measurement according to this new standard.

Burglar resistance according to EN 1627 resp. DIN 1627 / classifications:

WICLINE 65 evo / 75 evo Turn / turn-tilt / tilt / tilt-first / double casement	RC1N, RC2N, RC2, RC3
WICLINE 65 evo / 75 evo Fanlight	RC1N, RC2N, RC2, RC3
WICLINE 65 evo / 75 evo Concealed sash	RC1N, RC2N, RC2, RC3
WICLINE 65 evo / 75 evo Classic design	RC1N, RC2N, RC2, RC3
WICLINE 95 Turn/ Turn-tilt/ Tilt/ Tilt-first/ Fanlight	RC1N, RC2N, RC2, RC3
WICLINE 115 AFS Turn/ Turn-tilt/ Tilt/ Tilt-first/ fixed field	RC1N, RC2N, RC2, RC3

» WICLINE
Bullet resistant
window system

Personal security and building protection – for your building you need a solution which can be accomplished with aluminium systems in a holistic and compatible way. This is achieved by the WICONA series for windows, curtain walls and doors. Each of them can provide bullet resistance, in combination with other functions. The requirements for bullet resistance are achieved with various WICLINE window profile combinations, simply by addition special solid aluminium planking.



System test results/CE product pass in accordance with EN 14351-1:2006+A2:2016

See classification of the respective WICLINE window series.



Technical performance:

Bullet resistance according to EN 1522

- The bullet resistance requirements for windows are regulated Europe wide in the standard EN 1522. The new window series WICLINE 65 evo and WICLINE 75 evo have been tested according to this standard in various profile combinations, and successfully been certified in class FB4 S and FB4 NS.
- Bullet resistance in classes FB4 S and FB4 NS can be achieved for various opening types, in punched hole applications or in ribbon windows.
- Bullet resistance can be combined with burglar resistance in the classes RC1N, RC2N, RC2, RC3 according to EN 1627.

Possible combinations with other WICONA product series in bullet resistance in class FB4:

- Doors WICSTYLE 65 evo/WICSTYLE 75 evo
- Stick curtain walls WICTEC 50

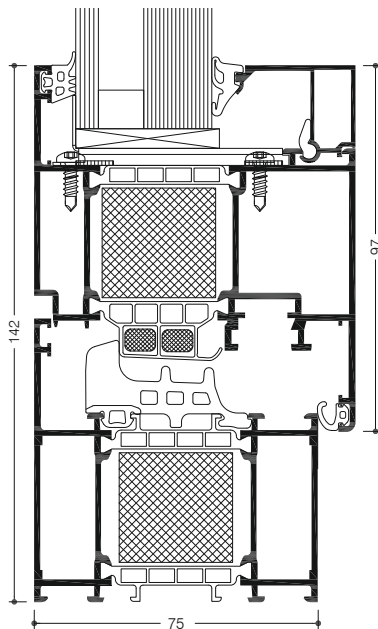
Bullet resistance according to EN 1522/ classifications:

WICLINE 65 evo /75 evo Turn /turn-tilt /tilt /tilt-first / double casement	FB4 S /FB4 NS
WICLINE 65 evo /75 evo Fanlight	FB4 S /FB4 NS

» WICLINE 75FP Fire protection window



With the new WICLINE 75FP fire protection window series, the WICONA fire protection programme is completed. The construction is 100 % based on a WICLINE 75 standard design and cannot be visually differentiated from this design. The self-closing openable fire protection glazing can be implemented as punch windows, windows with surrounds or integrated in a WICTEC 50FP fire protection stick curtain wall.



System test results / CE product pass in accordance with EN 14351-1:2006+A2:2016

Air permeability:	Class 4
Water tightness:	E750
Resistance to wind load:	Class C4 / B4
Operating forces:	Class 2
Load bearing capacity of safety devices:	Fulfilled
Mechanical strength:	Class 4
Repeated opening / closing:	Class 2 (10 000 cycles)
Impact resistance:	Class 3
Quality assurance:	Certified according to ISO 9001:2008
Environmental management:	Certified according to ISO 14001

Technical performance:

Profile technology:

- CE marking according to DIN EN 16034 EI₂ 30-C₂S_a
- Execution in fire protection classes EI30 or EW30
- Patented corner and butt joint connection technology for high rigidity of frames and sashes
- Infill thickness up to 49 mm
- Optionally with integration frame for stick curtain walls WICTEC 50FP

Thermal insulation:

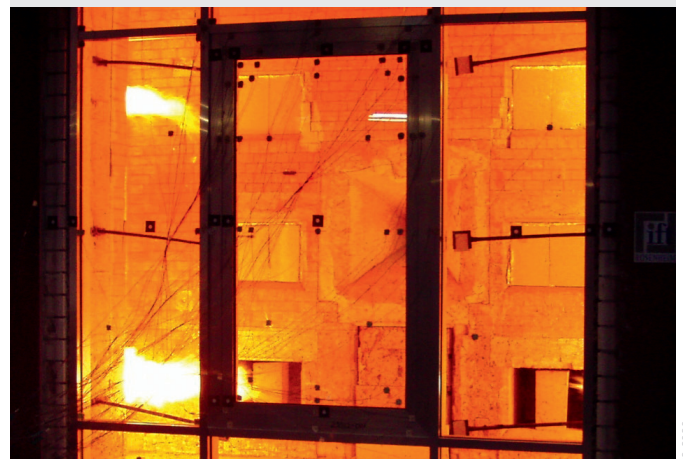
- U_f values: up to 1.3 W/(m²K)

Sealing concept:

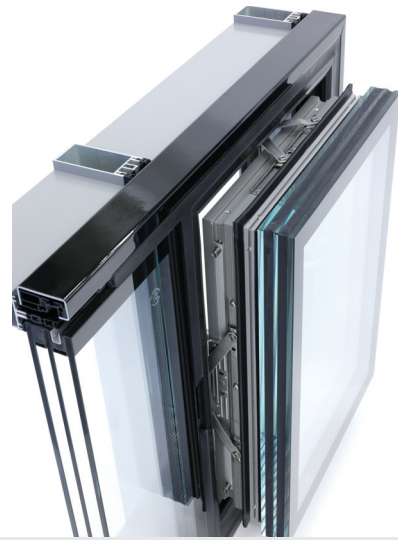
- Large-volume central seal in three variants:
 - Linear gasket insertion without corner pieces
 - With formed corners, no adhesive required
 - Corner vulcanised frames

Hardware:

- Heavy duty system fittings, with concealed hinges, integrated end position damping, opening angle max. 105°
- Sash weight:
 - Up to 160 kg
- Sash sizes (w x h): 1300 mm x 2300 mm

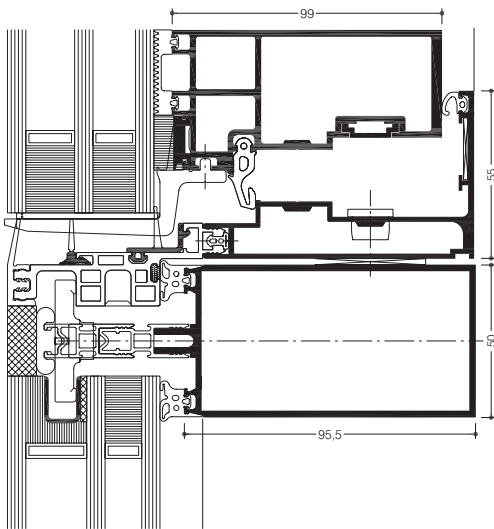


» **WICLINE 90SG**
 Integrated structurally glazed sash, Italian top hung / Parallel outward opening



As an attractive compliment to the WICEC range of curtain walls, WICLINE 90SG integrated sash provides efficient ventilation and can be operated both manually or automatically.

This all-glass window provides opening options such as a projecting top-hung sash or a parallel outward opening sash and can be integrated flush within the all glass WICTEC 50SG structural glazing curtain walling, or within a more traditional curtain wall using pressure profiles and cover caps. For optimum thermal insulation, the WICLINE 90SG can accommodate double or triple glazing, using standard IGUs with-out stepped edges, both for improved cost and safety.



Technical performance:

Profile technology:

- All-glass sash with slim profile design for maximum transparency
- Construction depth 90 mm, internal sight line 55 mm
- ETA granted (European Technical Approval)
- Infill thickness up to 62 mm
- For double or triple glazing
- Technology without stepped glazing, more economical and easier to assemble
- Complete fittings from WICONA for manual or motor operation

Thermal insulation:

- U_f value up to 1.1 W/(m²K)

Italian sash application:

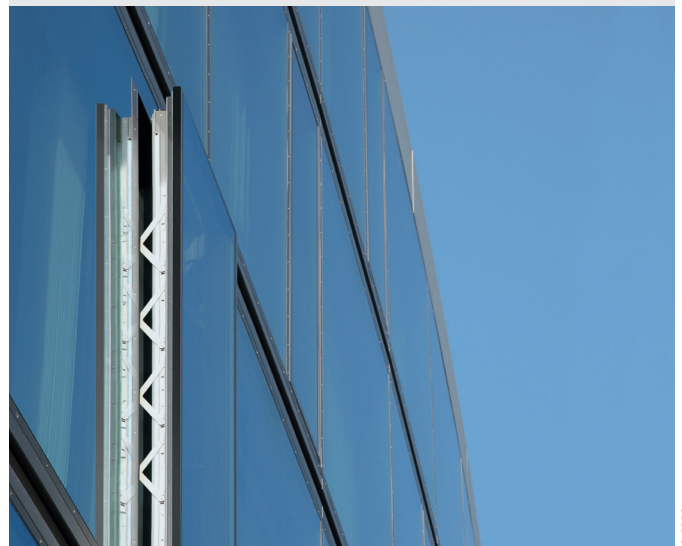
- Sash weight up to 180 kg
- Sash sizes (w x h): up to 1500 mm x 2500 mm or up to 2000 mm x 1700 mm

Parallel outward sash application:

- Sash weight until 200 kg
- Sash sizes (w x h): up to 1500 mm x 3000 mm or up to 2000 mm x 1500 mm

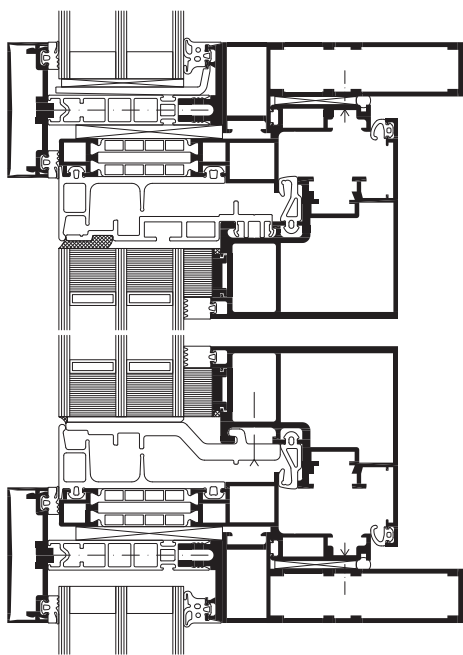
System test results / CE product pass in accordance with EN 14351-1:2006+A2:2016

Air permeability:	Class 4
Water tightness:	E750
Resistance to wind load:	Class C4 / B4
Repeated opening / closing:	Class 2 (10000 cycles)
Impact resistance:	Up to class 3
Load bearing capacity of safety devices:	Fulfilled
Approval	ETA: -12/0551 (European Technical Approval)
Quality assurance:	Certified according to ISO 9001:2008
Environmental management:	Certified according to ISO 14001



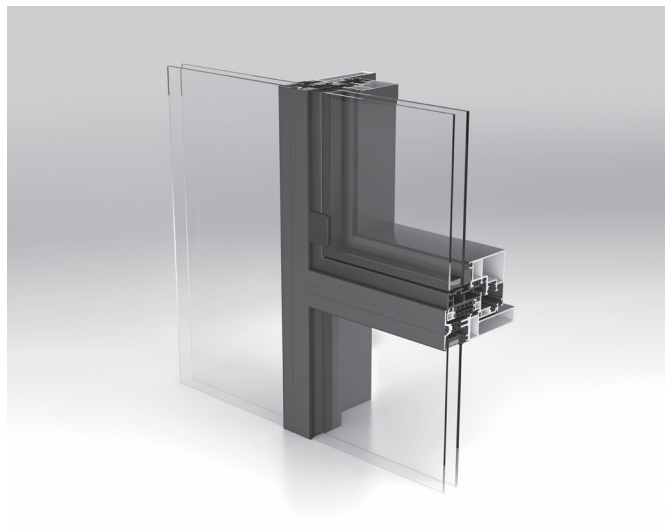
» WICLINE 70SG Concealed structural glazing insertion sash

Maximising daylight with minimal sight lines. The outer frame of the WICLINE 70SG window blends seamlessly into the mullion and transom profiles of the curtain wall, with only the glazing of the opening sash visible from the outside, blurring the boundaries between fixed glazing and opening elements. Specially designed mullion and transom profiles for WICTEC 50 system have been created to facilitate this integration, allowing opening leaves to be combined with a conventional curtain wall.



System test results / CE product pass in accordance with EN 14351-1:2006+A2:2016

Air permeability:	Class 4
Water tightness:	E750
Resistance to wind load:	Class C4 / B4
Mechanical strength:	Class 3
Repeated opening / closing:	Class 2 (10 000 cycles)
Impact resistance:	Class 1
Operating forces:	Class 1



Technical performance:

Profile technology:

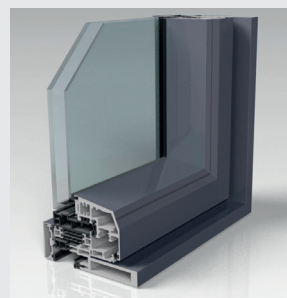
- Inward opening window
- Structural glazing appearance
- Concealed outer frame
- Completely concealed hinges
- Infill thicknesses of 27-39 mm and 45-57 mm
- 3 design options for individual façades
- Can be combined with WICTEC 50 stick system curtain wall

Hardware:

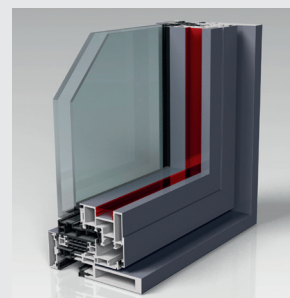
- Concealed hinges with integrated end position damping, max. opening angle 105°
- Optional opening limiter
- Sash sizes (w x h) up to 1 000 mm x 2 500 mm
- Sash weight up to 160 kg

Opening types:

- Inward opening
- Turn, Turn-Tilt, Tilt, Tilt-First

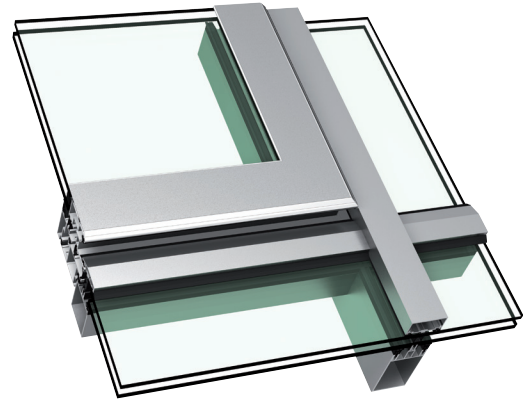


Design with bevelled edge

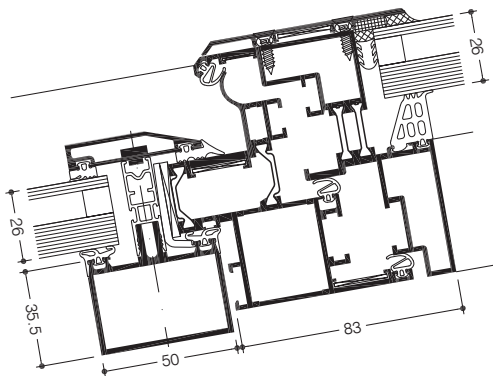


Design with optional integrated LED

» WICTEC 50
Skylight window for
curtain wall integration



The quality requirements for ventilation sashes are particularly high for those installed in the roof. WICTEC 50 meets these requirements and delivers a delicate appearance with minimal offset of the external glass level. Reduced profile widths, concealed hinges with 90° opening angle and the option of large sash formats, offer extensive freedom of design. Thanks to the large ventilation cross sectional areas, the WICTEC 50 skylight is also ideal for use as natural smoke and heat exhaust ventilators.



System test results / CE product pass in accordance with EN 14351-1:2006+A2:2016

Air permeability:	Class 4
Water tightness:	Class 9A
Resistance to wind load:	Class C5 / B5
Quality assurance:	Certified according to ISO 9001:2008
Environmental management:	Certified according to ISO 14001

Technical performance:

Profile technology:

- High insulation triple-chamber system, quality assured thermal insulator connection
- Slim design with only 81 mm visible sight line
- External offset between opening and fixed glazing only 36 mm
- For sloped glazing angles as low as 10°

Hardware:

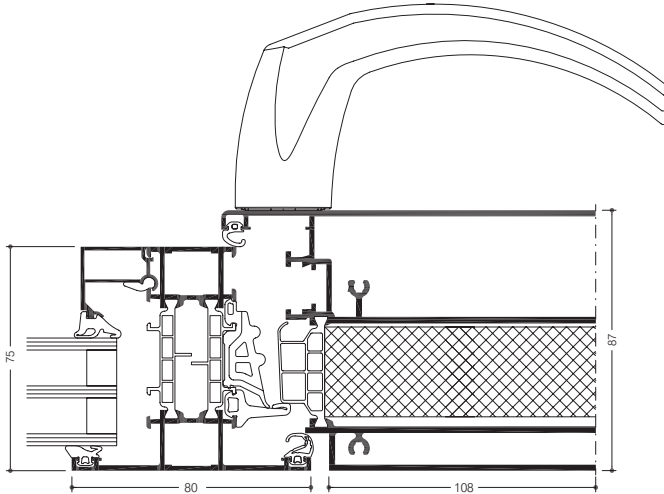
- Concealed turn hinges
- Opening angle 90°
- Manual or motorised operation
- Sash weight up to 130 kg
- Sash sizes (w x h) up to 1800 mm x 1400 mm or up to 1400 mm x 1800 mm

Additional options:

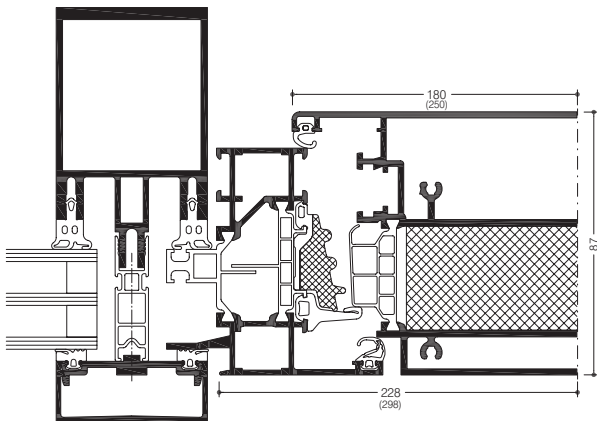
- NSHEV: tested and approved as natural smoke and heat extraction ventilation unit.



» WICLINE 75 evo
Ventilation flap



WICLINE 75 evo Ventilation flap 180 with window frame



WICLINE 75 evo Ventilation flap 250 with tensioning frame for facades

System test results / CE product pass in accordance with EN 14351-1:2006+A2:2016

Air permeability:	Class 4
Water tightness:	Class 9A
Resistance to wind load:	Class C5 / B5
Sound insulation:	Until 42 dB
Burglar resistance:	RC1N, RC2N, RC2



Technical performance:

Highlights:

- Sash widths from 170 to 330 mm, Standard dimensions 180 and 250 mm
- Max. sash sizes (w x h): 180 mm x 3000 mm or 250 mm x 3000 mm
- Fast and economical adjustment of the sash width in the object
- Narrowest possible shadow gap between sash and frame - only 6 mm as in standard WICONA windows
- 3 m sash height including burglar resistance up to RC2
- Simple and efficient processing exclusively with 90° cutting saw or notch cuts
- Comprehensive system testing according to DIN 14351-1 verifies the high quality of the system technology

Thermal insulation:

- U_f value up to 1.2 W/(m²K)

Hardware:

- High quality system fittings with Direct Positioning System (DPS). Components can be assembled in any order, optionally:
 - Surface-mounted hinges, colour coated or anodised
 - Concealed hinges with integrated end-position stops
- Sash weights: 80 kg
- Optionally with opening limiter
- Burglar resistance RC1N, RC2N and RC2

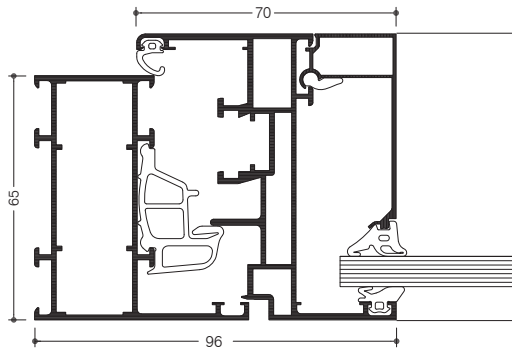
Concealed motor integration:

- 90° opening allowing for maximum ventilation
- Low-maintenance and tamper-proof
- Adjustable opening angle
- Control via ventilation switches, remote control or building management system
- Concealed emergency release
- No motor chains protruding into the opening area

Compatible with the window series WICLINE 75 and façade series WICTEC

» WICLINE 65N
Non-thermally broken
window

The WICLINE 65N aluminium window is ideally suited for buildings without specific thermal requirements. Ideal as well for the use as NSHEV (Natural Smoke and Heat Exhaust Ventilator).



Technical performance:

Profile technology:

- High quality aluminium profiles, without thermal break
- Patented corner and butt joint connection technology for high rigidity of frames and sashes
- Infill thickness up to 58 mm

Hardware:

- Concealed single-handed operated fittings, alternatively with:
 - Visible hinges
 - Concealed hinges
- Sash weight:
 - Up to 100 kg
- Sash sizes (w x h): 1300 mm x 1700 mm

Additional designs non-insulated:

- Window-doors / French doors
- NSHEV applications
- Burglar resistance

**Compatible with the door series
WICSTYLE 65N non-insulated**

**System test results / CE product pass in accordance
with EN 14351-1:2006+A2:2016**

Air permeability:	Class 4
Water tightness:	9A
Resistance to wind load:	Class C5 / B5
Operating forces:	Class 1
Repeated opening / closing:	Class 2 (10 000 cycles)
Burglar resistance:	WK1, WK2
Quality assurance:	Certified according to ISO 9001:2008
Environmental management:	Certified according to ISO 14001

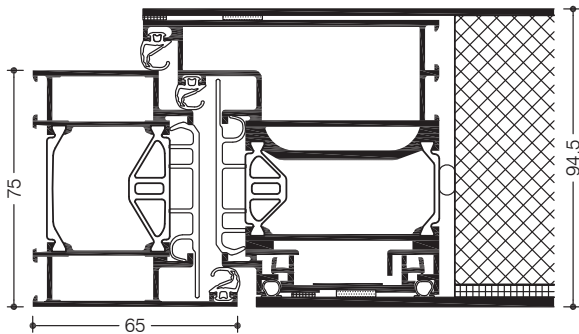


» WICSTYLE 75 evo
Panel door



Complete system for single- and double-leaf doors, which can be both inward or outward opening. With its smooth rebated cover profile, it doesn't just deliver on looks, but its seamless design offers an easy cleaning solution.

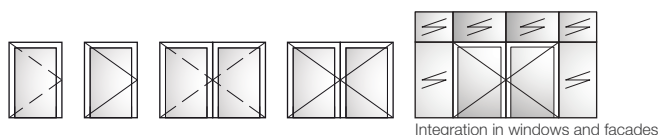
Characteristic design using profile covering infills. With this patented solution, WICONA introduces an innovative front door to meet the highest demands of design and energy efficiency. Besides giving the leaf covering the desired visually harmonious effect, this construction also reduces deformation of the doors leaves to a minimum using the bi-metal effect.



WICSTYLE 75 evo – Single-action door with double-sided leaf covering infill

System test results / CE product pass in accordance with EN 14351-1:2006+A2:2016

Air permeability:	Class 2
Water tightness:	Up to class 5A
Resistance to wind load:	Class C2
Operating forces:	Class 5
Behaviour between different climates:	Up to class 2(d)/3(e)
Burglar resistance:	RC3



Technical performance:

Section technology:

- Leaf profile 75 mm or 91 mm overlapping sash profile
- Frame profile 95 mm Classic Design or 75 mm flush-mounted
- Single-sided profile covering (or leaf covering)
- Double-sided profile covering
- Single-leaf, inward or outward opening
- Double-leaf, inward or outward opening

Thermal insulation:

- U_d-Values up to 0.78 W/(m²K)

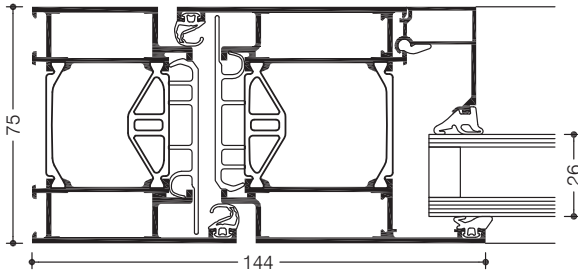
Hardware:

- Concealed hinges, WICONA invisio system
- Max. leaf weight 200 kg
- Max. leaf sizes (w x h): 1400 mm x 2520 mm
- Automatically locking WICONA autotronic 834P motorised lock
- Finger scan and remote control (further options available)
- Integrated concealed door drive system

» WICSTYLE 75 evo Hinged door



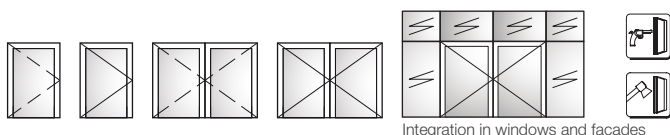
With a 75 mm profile depth, WICSTYLE 75 evo puts itself ahead in terms of thermal insulation and physical features. Its outstanding technical performance and application range make it the ideal door solution for all current and future requirements in architecture, both in new buildings and in renovations.



System test results / CE product pass in accordance with EN 14351-1:2006+A2:2016

Air permeability:	Up to class 2
Water tightness:	Up to 7A
Resistance to wind load:	Class C2
Acoustic performance:	$R_{w, (C; C_{tr})}$ until 43 (-1; -4) dB
Operating forces:	Class 2
Load bearing capacity of safety devices:	Fulfilled
Mechanical strength:	Class 3
Repeated opening / closing:	Up to class 7 (500 000 cycles)
Impact resistance:	Class 1
Behaviour between different climates:	Up to class 2(e) 2(d)
Burglar resistance:	RC1N, RC2N, RC2, RC3
Bullet resistance:	Up to class FB4 NS
Quality assurance:	Certified according to ISO 9001:2008
Environmental management:	Certified according to ISO 14001

Specific application data see ift product pass



Technical performance:

Profile technology:

- High insulation multi-chamber system in symmetric design, quality assured thermal insulator connection
- For single and double leaf hinged doors
- For inward and outward opening
- For glass or panels with infill thickness from 6 mm to 60 mm
- Various threshold profiles with or without thermal break, also barrier free
- Fanlights, lateral glazings fixed or opening in combination with WICLINE evo window series

Thermal insulation:

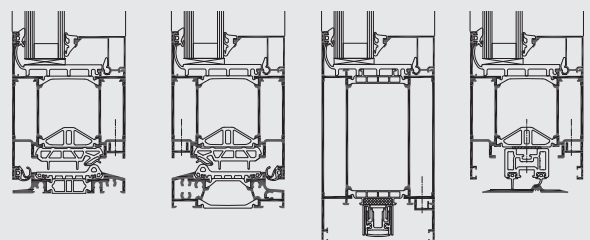
- U_f values: from 1.6 to 1.8 W/(m²K), without foam inserts

Hardware:

- Butt hinge
- Screwed hinge
- Concealed hinge
- Leaf sizes (w x h): 1400 mm x 2520 mm
- Max. leaf weight: until 200 kg, for bullet resistance with additional hinges until 400 kg

Additional designs:

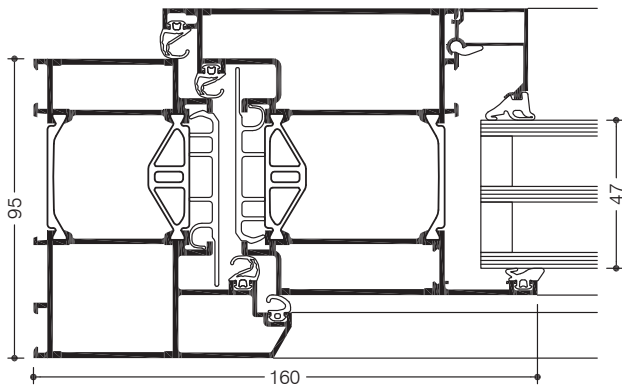
- Double action doors
- Integration frame for stick façades
- Burglar resistance in classes RC1 to RC3
- Bullet resistance in class FB4
- Leaf overlapping infill on one side or on both sides



WICSTYLE threshold options

» WICSTYLE 75 evo Classic design

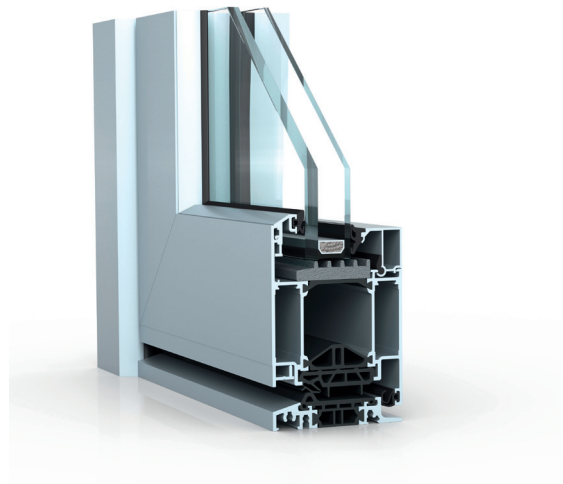
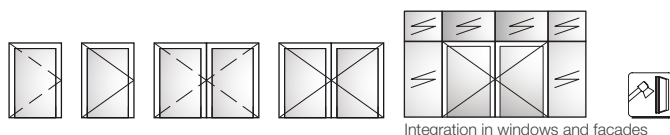
Bevelled profile contours and overlapping sashes are characteristic for the classic design of the WICSTYLE evo aluminium door series. This design underlines a style which is often requested for residential architecture. Ideal for new building and for energetic renovations alike.



System test results / CE product pass in accordance with EN 14351-1:2006+A2:2016

Air permeability:	Up to class 4
Water tightness:	Up to 7A
Resistance to wind load:	Class C2
Acoustic performance:	R_{w} (C; C_{tr}) until 43 (-1; -4) dB
Operating forces:	Class 2
Load bearing capacity of safety devices:	Fulfilled
Mechanical strength:	Class 3
Repeated opening / closing:	Up to class 7 (500 000 cycles)
Impact resistance:	Class 1
Behaviour between different climates:	Up to class 2(e) 2(d)
Burglar resistance:	RC1N, RC2N, RC2, RC3
Quality assurance:	Certified according to ISO 9001:2008
Environmental management:	Certified according to ISO 14001

Specific application data see ift product pass



Technical performance:

Profile technology:

- High insulation multi-chamber system, quality assured thermal insulator connection
- For single and double leaf hinged doors
- For inward and outward opening
- For glass or panels with infill thickness from 3 mm to 76 mm
- Various threshold profiles with or without thermal break, also barrier free
- Fanlights, lateral glazings fixed or opening in combination with WICLINE evo window series

Thermal insulation:

- U_i values: from 1.6 to 1.8 W/(m²K), without foam inserts

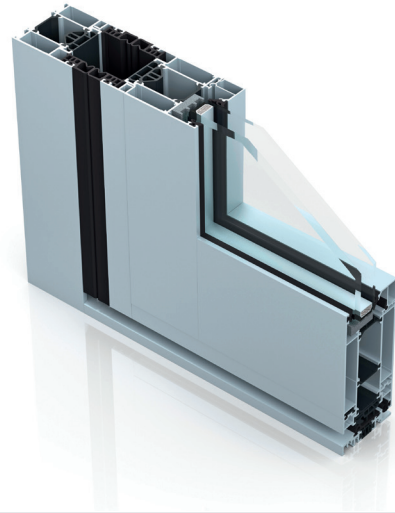
Hardware:

- Butt hinge
- Screwed hinge
- Concealed hinge
- Leaf sizes (w x h): 1400 mm x 2520 mm
- Max. leaf weight: until 200 kg

Additional designs:

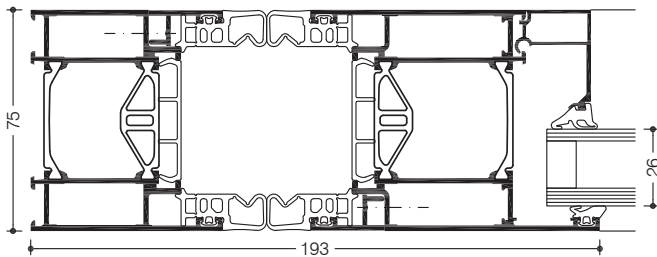
- Double action doors
- Integration frame for stick façades
- Burglar resistance in classes RC1 to RC3

» WICSTYLE 65 evo / 75 evo Finger protection door



The finger protection variation is based on the technical concept of the WICSTYLE evo aluminium door, with a 65 mm and 75 mm profile and is fully compatible with other solutions for ease of fabrication. The equipment and tools for manufacture remain the same, so that inventory does not increase unnecessarily and no time whatsoever is lost during production.

Finger protection is achieved using special seals and requires no additional elements for installation. Tools and manufacturing processes remain the same. As with all the versions in the WICSTYLE range, the door with an installation profile can be incorporated into the WICTEC façade and is also compatible with the WICLINE window system.



System test results / CE product pass in accordance with EN 14351-1:2006+A2:2016

Air permeability:	Class 2
Water tightness:	Up to 6A
Resistance to wind load:	Class C2
Operating forces:	Class 2
Load bearing capacity of safety devices:	Fulfilled
Mechanical strength:	Class 3
Repeated opening / closing:	Up to class 7 (500 000 cycles)
Impact resistance:	Class 1
Behaviour between different climates:	Up to class 2(e) 2(d)
Quality assurance:	Certified according to ISO 9001:2008
Environmental management:	Certified according to ISO 14001

Specific application data see ift product pass



Technical performance:

Profile technology:

- Finger protection on the hinge side is effected only by special gaskets. No other additional parts are needed.
- The requirements of the standard DIN 18650 (safety distance > 25 mm) are met
- High insulation multi-chamber system in symmetric design, quality assured thermal insulator connection
- For single and double leaf hinged doors
- For inward and outward opening
- For glass or panels with infill thickness from 3 mm to 60 mm
- Various threshold profiles with or without thermal break, also barrier free
- Fanlights, lateral glazings fixed or opening in combination with WICLINE evo window series

Thermal insulation:

- U_f values: from 1.6 to 1.8 W/(m²K), without foam inserts

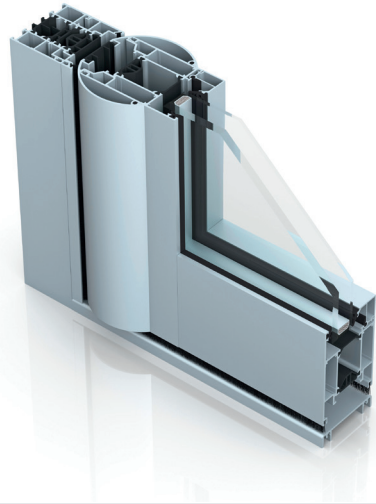
Hardware:

- Butt hinge
- Screwed hinge
- Leaf sizes (w x h): 1400 mm x 2520 mm
- Max. leaf weight: until 200 kg

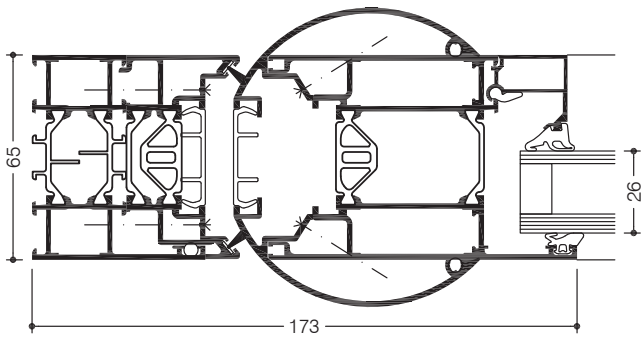
Additional designs:

- Double action doors
- Integration frame for stick façades

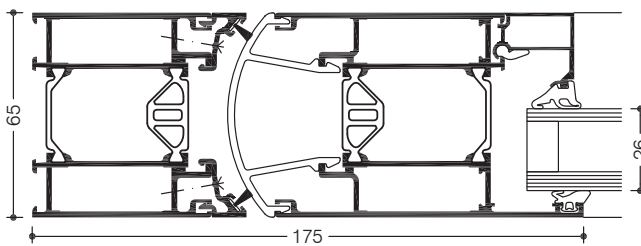
» WICSTYLE 65 evo
Double action door



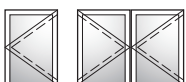
The WICSTYLE 65 evo series offers two profile options for single and double sash doors with double action fitting. Both versions are based on the standard door series and can perfectly be combined with it.



With round profile, fulfils also the finger protection requirements



Flush surface door



Technical performance:

Profile technology:

- High insulation multi-chamber system in symmetric design, quality assured thermal insulator connection
- For single and double leaf double action doors
- For glass or panels with infill thickness from 3 mm to 50 mm
- Various threshold profiles, also barrier free
- Fanlights, lateral glazing fixed or opening in combination with WICLINE evo window series

Hardware:

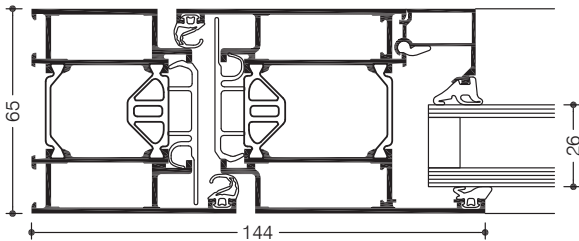
- With overhead door closer
- With floor spring
- Leaf sizes (w x h): 1300 mm x 2300 mm
- Max. leaf weight: until 160 kg

Additional designs:

- Integration frame for stick façades

» WICSTYLE 65 evo Hinged door

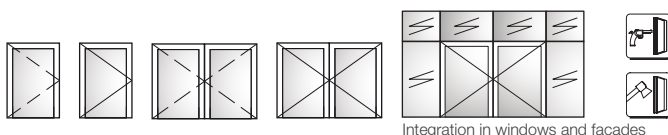
WICSTYLE 65 evo with its flush leaf design in 65 mm system depth and a comprehensive application range is perfectly qualified for the highest demands in design, technological quality and performance. Due to its favourable price/performance ratio it constitutes an economical aluminium door solution for almost any requirement.



System test results / CE product pass in accordance with EN 14351-1:2006+A2:2016

Air permeability:	Up to class 4
Water tightness:	Up to 7A
Resistance to wind load:	Class C2
Acoustic performance:	R_w (C; C_{tr}) until 42 (-2; -5) dB
Operating forces:	Class 2
Load bearing capacity of safety devices:	Fulfilled
Mechanical strength:	Class 3
Repeated opening / closing:	Up to class 8 (1 000 000 cycles)
Impact resistance:	Class 1
Behaviour between different climates:	Up to class 2(e) 2(d)
Burglar resistance:	RC1N, RC2N, RC2, RC3
Bullet resistance:	Up to FB4 NS
Quality assurance:	Certified according to ISO 9001:2008
Environmental management:	Certified according to ISO 14001

Specific application data see ift product pass



Technical performance:

Profile technology:

- High insulation multi-chamber system in symmetric design, quality assured thermal insulator connection
- For single and double leaf hinged doors
- For inward and outward opening
- For glass or panels with infill thickness from 3 mm to 50 mm
- Various threshold profiles with or without thermal break, also barrier free
- Fanlights, lateral glazings fixed or openable in combination with WICLINE evo window series

Thermal insulation:

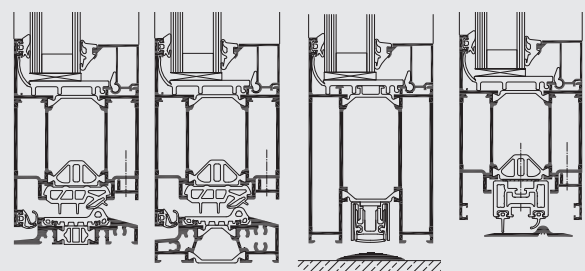
- U_f values: from 1.8 to 2.1 W/(m²K)
- U_d values: until 1.3 W/(m²K)

Hardware:

- Butt hinge
- Screwed hinge
- Concealed hinge
- Leaf sizes (w x h): 1400 mm x 2520 mm
- Max. leaf weight: until 200 kg, for bullet resistance with additional hinges until 400 kg

Additional designs:

- Double action doors
- Integration frame for stick façades
- Burglar resistance in classes RC1 to RC3
- Bullet resistance in class FB4
- Leaf overlapping infill on one side or on both sides



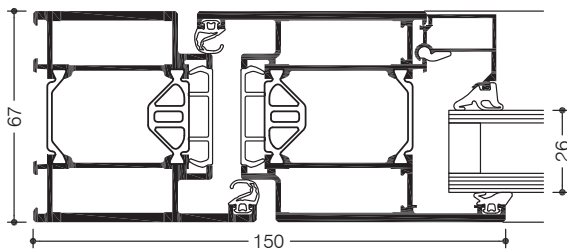
WICSTYLE threshold options

» WICSTYLE 65 Reinforced door



The solution for high-traffic areas is based on the successful concept of the WICSTYLE evo doors, with a 67 mm profile, and is fully compatible with other solutions for ease of fabrication. The equipment and tools for manufacture remain the same.

The WICTYLE 65 reinforced door for high-traffic areas is also fully compatible with WICTEC façade systems and WICLINE window systems.



WICSTYLE 65 – version for high-traffic areas

Technical performance:

Profile technology:

- Reinforced, thermally insulated multi-chamber system
- Inwards or outwards opening
- Single- or double-leaf
- Infill thicknesses: 3 mm to 50 mm
- Tight, accessible threshold
- Locks on ABS supports

Thermal insulation:

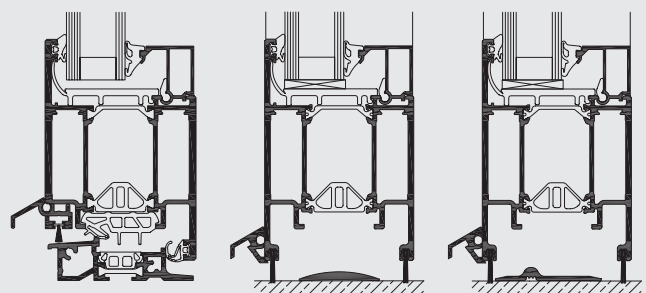
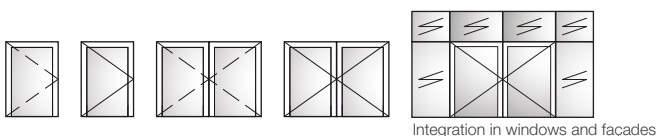
- $U_d = 1.7 \text{ W/(m}^2\text{K)}$ with $U_g = 1.1 \text{ W/(m}^2\text{K)}$

Hardware:

- Rolled strip:
 - Maximum weight 2 strips: 130 kg
 - Maximum weight 3 strips: 150 kg
- Max. leaf sizes (w x h): 1500 mm x 2600 mm

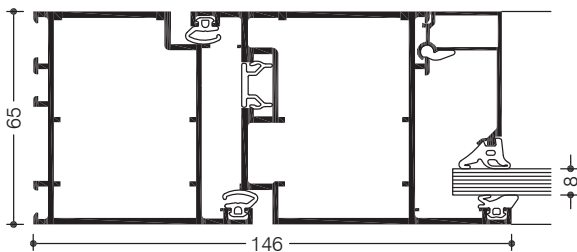
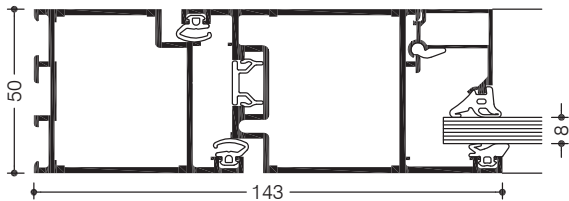
System test results / CE product pass in accordance with EN 14351-1:2006+A2:2016

Air permeability:	Class 4
Water tightness:	Class 7A
Resistance to wind load:	Class C2
Acoustic performance:	$R_w (C; C_w) = 43 (-2; -5) \text{ dB}$
Impact resistance:	Class 3
Mechanical strength:	Class 3
Continuous operation:	Class 8 (1 000 000 cycles)
Load capacity of safety devices:	Fullfilled
Operating forces:	Class 2



» WICSTYLE 50N/65N
Hinged doors,
non-insulated

These aluminium systems are designed specially for use inside buildings or where thermal insulation is not a determining factor. The range also meets high standards with regard to functionality, durability and comfort, whilst providing good economy.



Technical performance:

Profile technology:

- High quality profiles with profile depth 50 mm for WICSTYLE 50N or 65 mm for WICSTYLE 65N
- For single and double leaf hinged doors with flush leaf profiles
- For inward and outward opening
- Option of glass-separating or adhesive sash bars
- Fanlights, lateral glazings fixed or opening in combination with WICLINE evo window series
- With mechanical floor gasket or stop gasket
- With butt-hinge or screwed hinge

Special for WICSTYLE 50N:

- Infill thickness 4 mm to 31 mm
- Leaf weight until 150 kg
- Max. leaf size (w x h): until 1300 mm x 2350 mm

Special for WICSTYLE 65N:

- Infill thickness 4 mm to 46 mm (flush leaf) or 8 mm to 57 mm (overlapping leaf)
- Leaf weight until 200 kg
- Max. leaf sizes (w x h): until 1450 mm x 2700 mm

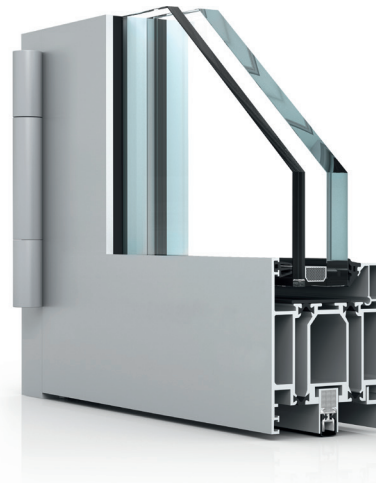
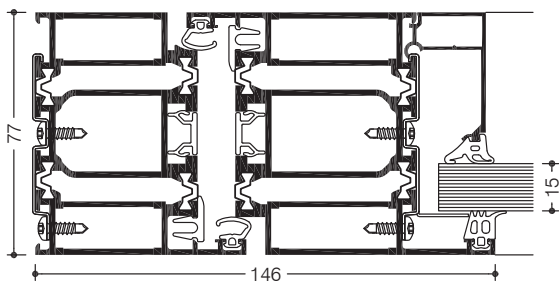
Additional designs:

- WICSTYLE 65N also possible as smoke control door and with burglar resistance in resistance classes WK1 and WK2



» WICSTYLE 77FP
Fire protection door
EI30/T30 and EI60/T60

This aluminium door in modular set-up fulfils the requirements of class EI30 and/or class T30/F30 for single and double-leaf doors without the need for fire protection inserts. Simply by adding these, class EI60 and/or T60/F60 are achieved. A full range of fanlight or fixed top or lateral glazings assure a comprehensive application range.



Technical performance:

Profile technology:

- Approved by building authorities
- CE marking according to DIN EN 16034 EI₂ 30-C₅S₂₀₀
- Execution in fire protection classes EI30/T30/F30 without fire protection inserts
- Execution in fire protection classes EI60/T60/F60 simply by adding fire protection inserts
- For single and double leaf hinged doors, inward and outward opening
- Fixed glazings, lateral lights and fanlights possible in many options
- Identical profile elevation as in the door series WICSTYLE 65 evo and WICSTYLE 75 evo, allowing for a unique design in a building project

Hardware:

- Butt hinge or screwed hinges in the same design as for WICSTYLE standard series, leading to a harmonised building design
- Extensive fittings for requirements such as panic functions, emergency exit seals, electric safety locks, electronic openers, revolving door drive with magnet and bolt contact
- Max. leaf sizes (w x h):
up to 1462 mm x 2990 mm (single leaf),
or 2943 mm x 2990 mm (double leaf)
- Max. leaf weight: up to 260 kg

System test results / CE product pass in accordance with EN 14351-1:2006+A2:2016

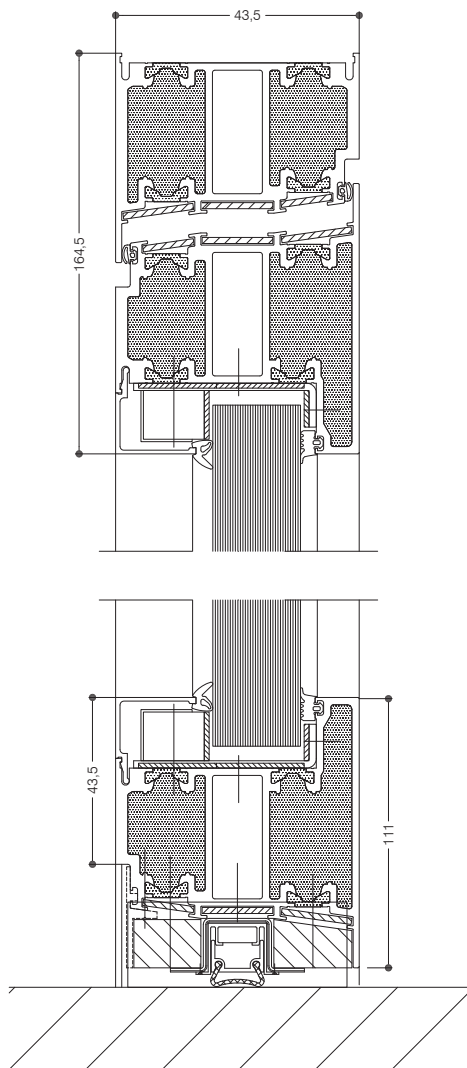
Air permeability:	Class 4
Water tightness:	Class 6A
Resistance to wind load:	Class C3 / B3
Burglar resistance:	RC1N, RC2N, RC2, RC3

△ Approval in accordance with national regulations



» WICSTYLE FP90
Fire protection door
T90/F90

WICSTYLE 90FP is delivered as a pre-assembled component and offers very high fire resistance of 90 minutes as a single or double-leaf hinged door. This is also available in combination with fixed glazing. The door is designed for internal use, opening inwards and outwards. In individual cases, outdoor usage is possible after consultation.



Hinged door, outward opening.
Special frame with surrounding leaf profile and lowering gasket.



Technical performance:

Profile technology:

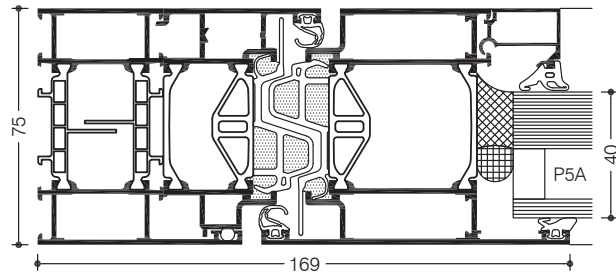
- WICSTYLE FP90 is approved for the German market. For other countries the national regulations must be respected.
- Pre-assembled fire protection system, doors are ready to install and include glass
- Execution in fire protection classes T90/F90
- For indoor application, inward and outward opening, and fixed glazing
- Fixed glazings, lateral lights and fanlights possible in many options
- Slim profile dimensions for filigree design
- Flush leaf with profile depth 100 mm
- Free choice for surface treatment
- Additional functions possible with large fitting portfolio



» WICSTYLE
 Door systems
 Burglar resistance

Personal security and building protection – for your building you need a solution approach which can be accomplished with aluminium systems in a holistic and compatible way. This is achieved by the WICONA series for windows, curtain walls and doors. Each of them can provide in burglar resistance, in combination with other additional functions.

The various levels of resistance classes can be achieved with all WICSTYLE door series without visual alterations of the constructions, with only a minimum of additional measures on the basis of the standard design.



WICSTYLE 75 evo in class RC3

System test results / CE product pass in accordance with EN 14351-1:2006+A2:2016

See classification of the respective WICSTYLE door series



Technical performance:

Burglar resistance according to DIN EN 1627:

- The currently valid standard for burglar resistance, DIN EN 1627, has come into effect in European countries in 2011 and 2012. It replaced former national standards. The classifications have been modified to classes RC1N to RC3, which are not identical with the former classes WK1 to WK3, as the test sequences have been changed.

Test results of the WICONA door series:

- The WICSTYLE 65 evo and WICSTYLE 75 evo door series with several variations have been tested according to the new standard DIN EN 1627. They can easily be specified and implemented without any additional measurement according to this new standard.
- The double leaf full panic doors have been successfully tested up to RC3

Burglar resistance according to DIN EN 1627 resp. DIN 1627 / classifications:

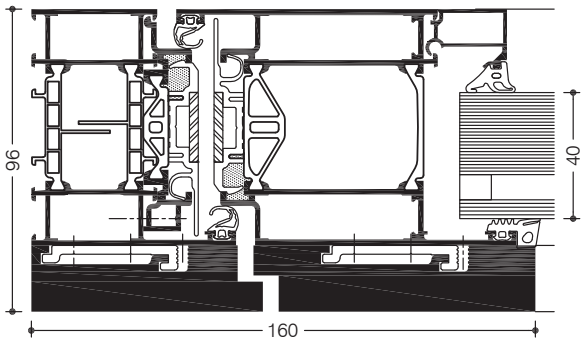
WICSTYLE 65 evo / 75 evo Hinged doors	RC1N, RC2N, RC2, RC3
WICSTYLE 65 evo / 75 evo Classic design	RC1N, RC2N, RC2, RC3
WICSTYLE 65N, non-insulated	WK1, WK2

» WICSTYLE
Door systems
Bullet resistance

Following the WICONA Unisys principle, the bullet-resistant version of the WICSTYLE aluminium doors was developed from the the WICSTYLE evo range.

The design construction of the WICSTYLE evo standard door is expanded using surface-mounted aluminium profiles to offer protection against firearms. The appearance of the doors fronts which are protected in this way remain visually unchanged compared with standard version. There is no change to the manufacturing process either, so no additional time is required.

Naturally, the door must be supplemented with multipoint locks and suitable bullet-resistant glazing.



WICSTYLE 75 evo in class FB4

System test results / CE product pass in accordance with EN 14351-1:2006+A2:2016

See classification of the respective WICSTYLE door series



Technical performance:

Bullet resistance according to EN 1522

- The door series WICSTYLE 65 evo and WICSTYLE 75 evo have been tested according to this standard in various profile combinations, and successfully been certified in class FB4 S and FB4 NS.
- Bullet resistance can be combined with burglar resistance in the classes RC1N, RC2N, RC2, RC3 according to EN 1627.

Possible combinations with other WICONA product series in bullet resistance in class FB4:

- Windows WICLINE 65 evo / WICLINE 75 evo
- Stick curtain walls WICTEC 50

Bullet resistance according to EN 1522 / classifications:

WICSTYLE 65 evo / WICSTYLE 75 evo Hinged doors, single or double leaf, inward or outward opening	FB4 S / FB4 NS
--	----------------

» WICSTYLE
 Door systems
 Emergency exit

In panic situations the safety and evacuation of people in the building are the main concern. In Europe uniform standards for emergency exit door fittings are applicable. Within the meaning of these standards, emergency exit door systems are subdivided in emergency exit devices according to EN 179, and panic door exit devices according to EN 1125. Emergency exits acc. to EN 179 are designated to buildings to which the general public does not have access and whose visitors understand the function of the emergency doors.

Panic door exit devices acc. to EN 1125 are used in public buildings where the visitors are not familiar with the function of emergency doors, like schools, hospitals, shopping malls. WICSTYLE door systems offer a comprehensive range of applications, which can also be combined with other functions and design options.



Technical performance:

Profile technology:

- Doors in accordance with EN 179 (emergency exit devices) or with EN 1125 (panic exit devices)
- Many system options for the emergency application, allowing for a unified door design within the building, irrespective of additional functions
- Single or double leaf possible
- Combination with burglar resistance in classes RC1, RC2 and RC3 possible
- Execution in combination with fire protection in classes T30 and T60 and in combination with smoke control possible (national regulations must be respected)

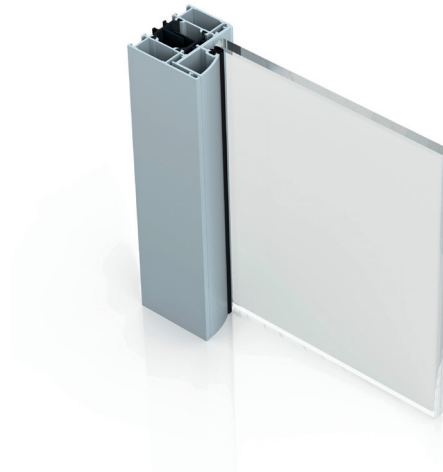
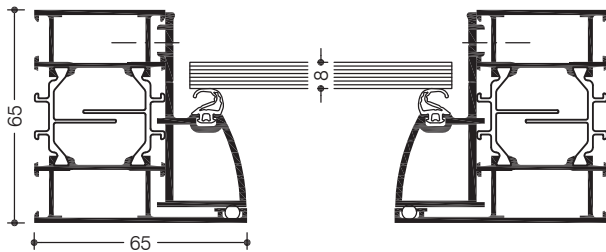


WICSTYLE systems for exit doors according to EN 179 (emergency exit device) and according to EN 1125 (panic exit device)

- WICSTYLE 65 evo hinged door
- WICSTYLE 75 evo hinged door
- WICSTYLE evo finger protection door
- WICSTYLE 65N non-insulated
- WICSTYLE 77FP fire protection door

» WICSTYLE 65 evo
All-glass doors

All-glass doors create maximum transparency in a building. WICSTYLE all-glass doors are based on the standard WICSTYLE 65 evo serie, with many identical parts, and thus offer optimal compatibility with other door solutions within the building.



Technical performance:

Profile technology:

- High quality profile system in symmetric design
- For single and double leaf hinged doors
- For inward and outward opening
- For glass doors with 8 mm or 10 mm glass
- Fanlights, lateral glazings fixed or opening

Hardware:

- Fittings for standard glass doors with 45 kg or 55 kg leaf weight

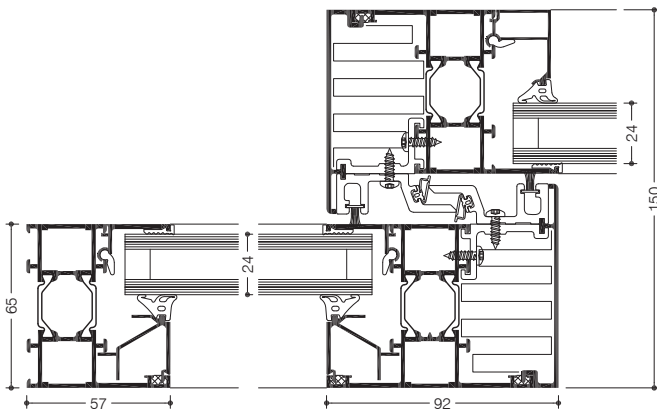


» WICSTYLE 65ED Energy-saving automatic sliding door



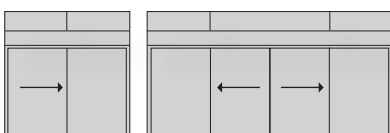
WICSTYLE 65ED, the energy-saving automatic sliding door for commercial buildings, was developed in collaboration with the Swiss global market leader Gilgen Door Systems AG, on the basis of the WICSTYLE 65 profile. Automatic sliding doors have short open and close cycles that have been optimised for throughput. Therefore, when in operation they retain the largest amount of warmth within the building. A major role in energy efficiency, however, is the time in which the door remains permanently shut – such as overnight.

During such periods, WICSTYLE 65ED protects the building reliably against excessive energy loss, thereby making a significant contribution to improving the overall energy balance of the building.



System test results / CE product pass in accordance with EN 14351-1:2006+A2:2016

Air permeability:	Class 2
Watertightness:	5A
Resistance to wind load:	Class B1
Quality assurance:	Certified according to ISO 9001:2008
Environmental management:	Certified according to ISO 14001



Technical performance:

Profile technology:

- Safety tested in accordance with the personal safety regulations in standard DIN 18650
- Approved complete door device (both thermally insulated profile system and drive unit), according to DIN EN 14351-1
- Leading thermal insulation values with U_d values below $1.5 \text{ W}/(\text{m}^2\text{K})$
- Up to 70 % less energy loss in closed situation
- Improved tightness compared to surrounding double gaskets in labyrinth application, with values comparable to residential entrance doors
- Reliable automation by Gilgen Door Systems
- Ideal for both new builds and renovations
- Attractive appearance due to narrow sight lines and coordinated integration of the door drive
- Infill thickness from 24 mm to 27 mm
- Option of single or double-leaf sliding versions, with or without lateral glazing
- Easy integration of additional functions and fittings, such as multipoint locks for increased burglar resistance

Thermal insulation:

- U_d values: below $1.5 \text{ W}/(\text{m}^2\text{K})$

Drive system / fittings:

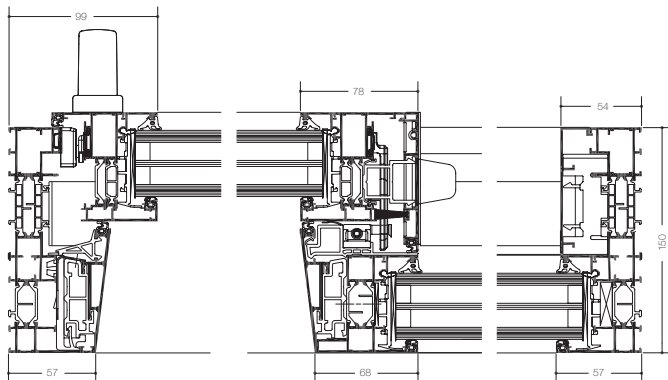
- Single or double leaf door devices
- Drive systems SLA, SLX and SLX redundant
- Possible for emergency exits
- Infill weights: until 150 kg
- Leaf sizes (w x h): until 2000 mm x 3000 mm



» WICSLIDE 150 PS Offset-sliding system

WICSLIDE 150 PS is a hybrid solution because it combines the advantages of a sliding system with the features of a window. The patented central sealing system guarantees optimum watertightness – up to four times greater than standard sliding doors. Thanks to excellent thermal insulation and watertightness, the WICSLIDE 150 PS offset-sliding system is the innovative solution to meet the challenges of climate change.

Specifically developed for a high level of comfort with the secure micro-ventilation system, WICSLIDE 150 PS offers an innovative solution and ensures smooth low-noise operation. The profiles have been extruded from Hydro CIRCAL 75R aluminium – a top quality aluminium alloy composed of at least 75% recycled end-of-life aluminium (post-consumer scrap).



Horizontal section
1 sliding sash + fixed light

System tests / CE product pass in accordance with EN 14351-1:2006+A2:2016

Thermal insulation U_w	up to 1.0 W/(m ² K)
Air permeability:	Class A4
Water tightness:	E1200
Resistance to wind load:	Class 3
Sound insulation:	R_w up to 45 (-2;-5) dB
Operating forces:	Class 1
Mechanical strength:	Class 4
Durability:	Class 3 (20 000 cycles)
Impact resistance:	Class 2



Technical performance:

Thermal insulation:

- U_w up to: 1.0 W/m²K ($U_g = 0.7$ W/m²K),
1 sliding sash + fixed light, triple glazing
w x h = 4 000 x 2 700 mm

Tightness:

- Air permeability: Class A4
Micro-ventilation: Class A1
- Water tightness: E1200
- Resistance to wind load: Class 3
Operating load 1 200 Pa, Safety load 1 800 Pa,
Class 5 up to 3 000 Pa (expected mid 2020)

Sound insulation:

- R_w (C;C_{tr}): 45 (-2;-5) dB
- Double glazing 50 mm: 88.2 Si / 20 / 66.2 Si

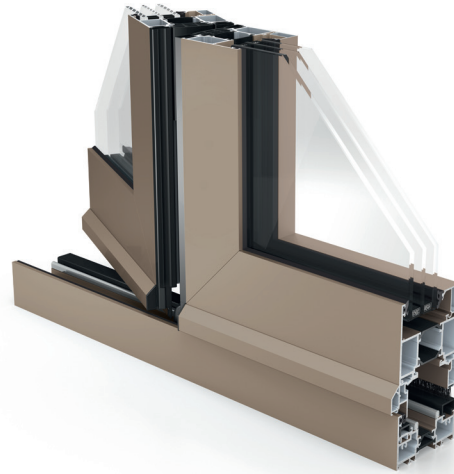
- Operating forces: Class 1
- Burglar resistance RC 2 (expected mid 2020)



- Extruded aluminium profiles in Hydro CIRCAL 75R

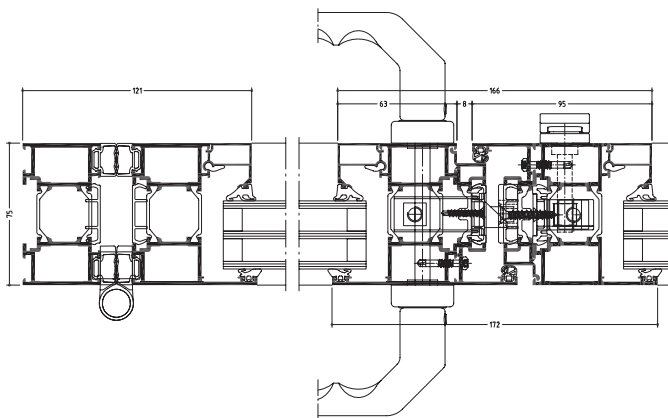


» WICSLIDE 75FD Folding-sliding system



Finishes on the WICSLIDE 75FD folding-sliding system are carefully designed for visual harmony in both open and closed positions. When open, all elements are black, the screw heads and the lower rollers are concealed by black caps. When closed, the profiles are flush and their presence is dignified and balanced.

The leaves of the WICSLIDE 75FD folding-sliding system are available in two versions with sightlines of 66 mm (standard) or 76 mm (heavy-duty).



Horizontal cross-section

Technical performance:

- Infill thickness from 6 mm to 60 mm
- Folding-sliding elements with three to ten leaves
- Opening right or left
- Inward or outward opening
- Main leaf positioned centrally or to one side
- Standard and heavy-duty versions
- Threshold:
 - Double brush seal
 - Flush for persons with reduced mobility
 - Frame profile for improved performance
 - For higher requirements with gasket
- Hardware corrosion resistance: Grade 5 (420 h in neutral spray)
- Simple to adjust on site (vertical and lateral):
 - Vertical + 3 mm / - 1 mm
 - Lateral +/- 5 mm
- Glazing with identical dimensions
- Max. leaf sizes (w): up to 1 200 mm
- Max. leaf sizes (h): up to 3 000 mm
- Weight of leaves up to 150 kg
- Profile depth 75 mm
- Three-point locking, with keys

Thermal performance:

- 3-leaf door (w x h): 3 773 mm x 3 148 mm
 - $U_d = 1.5 \text{ W/(m}^2\text{K)}$ with $U_g = 1.1 \text{ W/(m}^2\text{K)}$ double-glazed
 - $U_d = 1.0 \text{ W/(m}^2\text{K)}$ with $U_g = 0.6 \text{ W/(m}^2\text{K)}$ triple-glazed

System tests / CE product pass in accordance with EN 14351-1:2006+A2:2016

	Outward opening
Air permeability:	Up to class 4
Water tightness:	Up to E 750
Resistance to wind load:	Up to class C3/B3
Operating forces:	Class 1 (under 100 N)
Mechanical resistance:	Class 4
Acoustic performance:	Up to 43 dB
Repeated opening / closing*:	Up to class 3 (50 000 cycles)
Anticorrosion:	Grade 5

* under verification

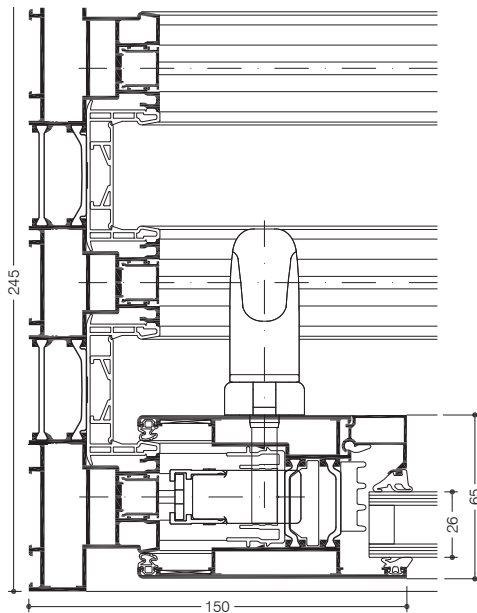


» WICSLIDE 160

Lifting-sliding system

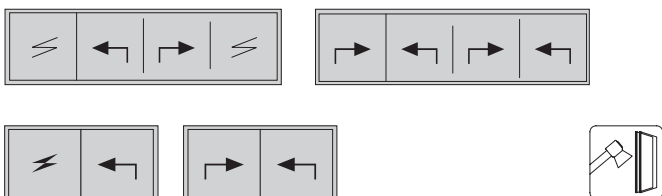


The WICSLIDE 160 lifting-sliding system combines excellent thermal insulation with the highest functionality and design. Impressive leaf dimensions and enduring operation comfort are your guarantors for maximum customer satisfaction. With state-of-the-art technology and innovative advantages in fabrication, WICSLIDE 160 is a high-tech product that sets new standards.



System test results / CE product pass in accordance with EN 14351-1:2006+A2:2016

Air permeability:	Class 4
Water tightness:	E750/9A
Resistance to wind load:	Class C3
Acoustic performance:	$R_w (C; C_{tr}) = 43 (-1; -3) \text{ dB}$
Quality assurance:	Certified according to ISO 9001:2008
Environmental management:	Certified according to ISO 14001



Technical performance:

Profile technology:

- Improved hooking zone between the leaves for enhanced thermal insulation and tightness
- Infill thickness from 4 mm to 50 mm
- Construction depth 160 mm (double track) and 245 mm (triple track)
- Special frame profiles with multi function zone
- Barrier free threshold possible
- Enduring comfort operation due to optimised running carriage technology
- Hooking zone without visible screws
- Optional with fixed glazing or fixed sash

Thermal insulation:

- U_w values: below 1.0 W/(m²K)

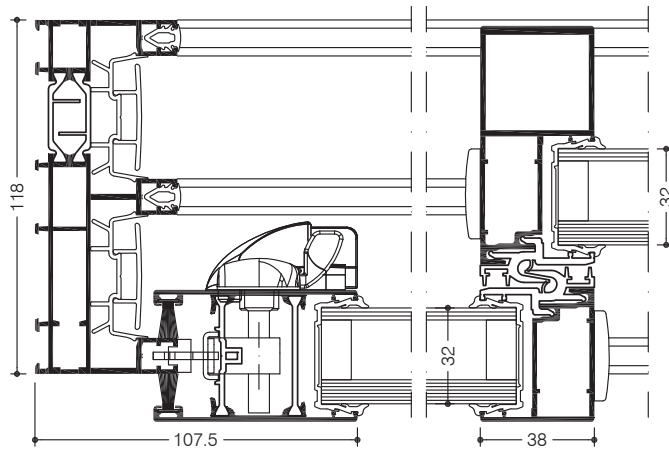
Hardware:

- Lifting-sliding hardware, running carriage with integrated brush for permanent cleaning of the tracks
- Support device in the lowering of the leaf, resulting in reduced operation forces
- Leaf sizes (w x h): up to 3200 mm x 3400 mm
- Leaf weight up to 400 kg (lifting sliding)



» WICSLIDE 65 Sliding system

The WICSLIDE 65 sliding system elegantly combines large dimensions with excellent thermal properties. Many details enable each individual installation to be creatively customised. Numerous profile combinations offer you more planning freedom.



System test results / CE product pass in accordance with EN 14351-1:2006+A2:2016

Air permeability:	Class 4
Water tightness:	Class 7A
Resistance to wind load:	Class A3
Acoustic performance:	$R_{A,tr} = 36$ dB
Operating forces:	Class 1
Corrosion resistance of fittings:	Class 4
Quality management:	Certified to ISO 9001:2008
Environmental management:	Certified to ISO 14001



Technical performance:

Profile technology:

- Sliding units with 65 mm construction depth (double-track) or 118 mm (triple-track)
- Two-, three-, four- or six-leaved application
- Patented corner connection technology for high component strength and reduced use of adhesive.
- Infill thicknesses: 24 mm, 28 mm or 32 mm
- Concealed or visible drainage
- Perpendicular leaf profile in different designs, straight or rounded
- Individually customisable profile connection technology
- Optional: Accessible threshold

Thermal insulation:

- U_w up to 1.5 W/(m²K) with $U_g = 1.0$ W/(m²K)

Hardware:

- Max. leaf weight with single rollers: 80 kg
- Max. leaf weight with double rollers: 220 kg
- Leaf sizes (w x h): up to 1500 mm x 2500 mm



» WICSOLAIRE
Solar shading system
Curtain walling integration

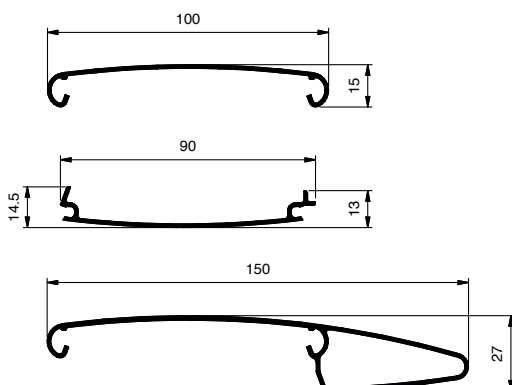
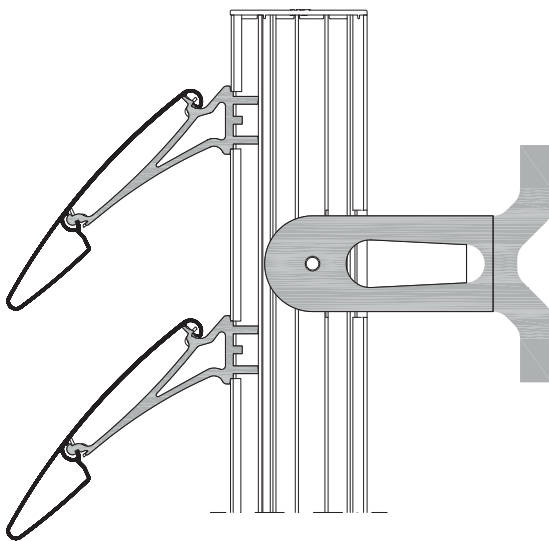
Modern architecture with extended glazed building skins offer increased energy gains from daylight, but require an external light control that aligns energy savings, user comfort and economy. WICSOLAIRE sunshading systems guide daylight into the building and thus reduce the need for artificial light. They control the energy and heat input by solar radiation and reduce the need for air conditioning.

The visual contact with the exterior remains and improves the sensation of comfort. As a passive technology WICSOLAIRE can be adapted in diverse options to the individual requirements and the architectural style of the building. In combination with the WICONA window and curtain wall systems a consistent solution is achieved. Integrated directly in the structure of a stick curtain wall, WICSOLAIRE offers a simplified construction and implementation.

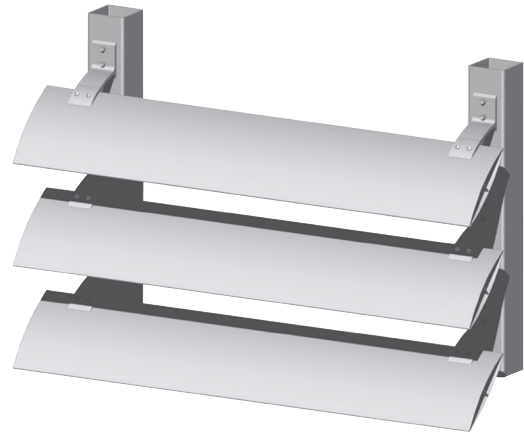


Technical performance:

- Blade dimensions: Profile depth 100 mm or 150 mm
- Blade holders for fixture in 4 angles (15° / 30° / 45° / 60°)
- Horizontal blades for vertical or sloped application or canopies
- Easy assembly due to special WICTEC fixture parts for curtain wall integration or for other surfaces



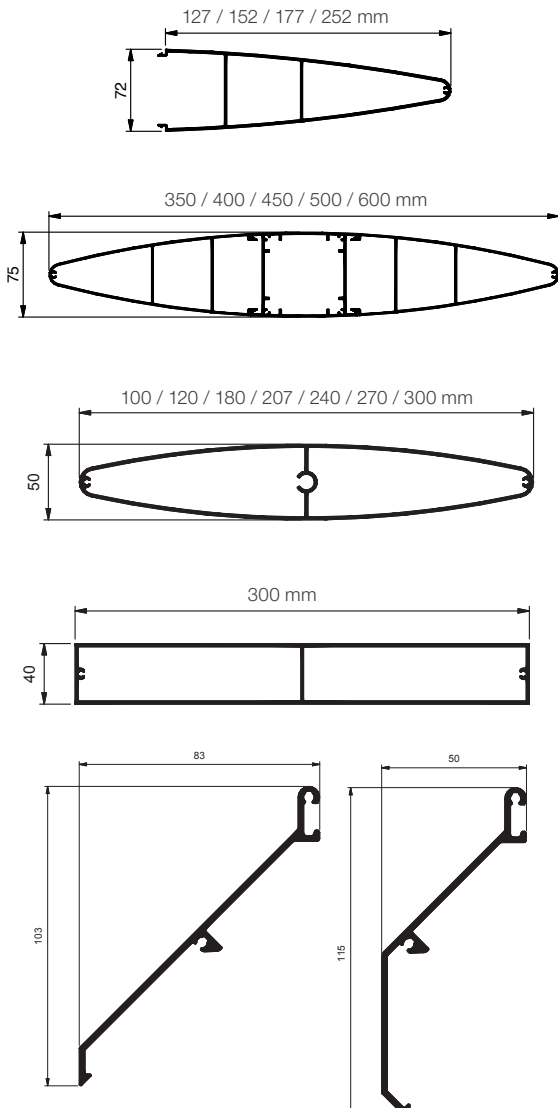
» WICSOLAIRE
Solar shading system
Independant structure



Modern architecture with extended glazed building skins offer increased energy gains from daylight but require an external light control that aligns energy savings, user comfort and economy. WICSOLAIRE sun shading systems guide daylight into the building and thus reduce the need for artificial light. They control the energy and heat input by solar radiation and reduce the need for air conditioning.

The visual contact with the exterior remains and improves the sensation of comfort. As a passive technology, WICSOLAIRE can be adapted in diverse options to the individual requirements and the architectural style of the building.

Fixed directly on an independent support structure, WICSOLAIRE offers a maximum choice of applications with vertical or horizontal blade orientation, for canopies or with motorised adjustable orientation.



Technical performance:

- Easily adaptable in size, assembly, application and orientation to meet the requirements of each individual project
- Blade holders for fixing at 4 angles (15° / 30° / 45° / 60°)
- Fixed angles from 0° to 45°, from 0° to 60° or adjustable orientation from 0° to 90°
- Blade dimensions:
 - 120 mm to 270 mm for fixing in front of the support structure (0° to 45°)
 - 100 mm to 300 mm (single profile) and 350 mm to 600 mm (composite profiles) for fixing between the support structure
 - 175 mm to 300 mm (half-blades) for fixture in front of the support structure
- Easy assembly due to special fixing parts for each application
- Orientation of the blades horizontally or vertically or on sloped structures



» Cradle-to-Cradle (C2C) Certification Sustainable and ecological

At WICONA, sustainability and ecology have been a fundamental part of the company's philosophy for a long time. Recently, this was significant with them being awarded the Silver Cradle-to-Cradle (C2C) Certificate for window, door, façade and sliding systems.

The process leading to certification takes the designer and manufacturer through a process of continuous product optimisation towards a combination of ambitious aesthetics, technical quality and the highest ecological standards.

The C2C Certificate complements and also offers an alternative to the well-known building certificates (DGNB, LEED, BREEAM, etc.) The criteria are directly related to the product, not to the entire building. The responsibility of the product manufacturer, including the entire prefabrication and supply chain, comes into focus.

In order to achieve one of the five levels of certification (from Basic up to Platinum), a product must satisfy the minimum requirements of the relevant level in the following five categories: Material health, Material reutilization, Renewable energy and carbon management, Water stewardship and Social fairness and biodiversity.

The five C2C categories enable all aspects of the materials used, the manufacturing process – including the company's social responsibility and its impact for society – to be considered throughout the certification process.

For planners and architects, certification provides them with the advantage that, with WICONA aluminium systems, they are always able to automatically achieve at least C2C Silver Standard. The differences in their ecological thinking and behaviour compared to the competition are clearly visible. However, for WICONA, the Silver standard is just the start of their journey towards Platinum level.



Photo: © Werner Hüftmayer

» Join a revolution



Building with vision means taking the future seriously. And bearing in mind that our resources are finite. We are absolutely convinced that future urban development is inconceivable without sustainable reuse of materials.

Hydro CIRCAL

WICONA is a part of the Hydro group, a global supplier of aluminium with activities throughout the value chain – aiming to become carbon neutral from a lifecycle perspective by 2020. WICONA is once again demonstrating its focus on sustainability by using Hydro aluminium alloy CIRCAL made with recycled post-consumer scrap. Hydro CIRCAL 75R contains a minimum of 75% postconsumer scrap. When guaranteeing more than 75% recycled content, Hydro exclusively refer to aluminium that has reached its end of life as a product in use and is brought back into the loop.

100 % Opportunities. 5 % Energy.

Aluminium is infinitely recyclable. Its quality and material properties are never lost. Furthermore, melting down end-of-life aluminium uses just 5 % of the energy required for primary aluminium production. So the higher recycled content of postconsumer scrap, the better it is for our cities and the environment.

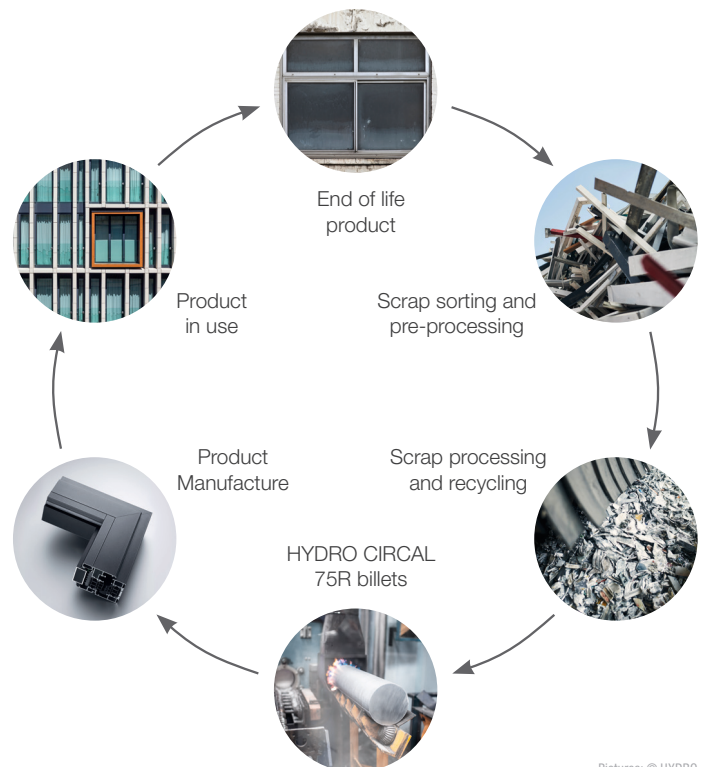
Minimum CO₂ footprint

Hydro CIRCAL 75R has a carbon footprint among the lowest in the world: 2.3 kg CO₂ per kilo of aluminium. This is six times or 84 % less than the worldwide average for primary extraction.

About 75% of all aluminium ever produced is still in use today

The Process

The production process is fully traceable, and the product is certified by an independent third party (DNV-GL). The certified production is nothing short of a revolution in the building industry.



Pictures: © HYDRO

»» Entire product documentation range at a glance

WICTIP enables architects, planners and fabricators to have quick and easy access to the entire WICONA product documentation, which is necessary for planning right through to processing the WICONA system solutions.

Product ranges, workshop manuals, hardware installation plans, test certificates, planning information, documents on CE marking, sectional CAD drawings and many more documents have been perfectly prepared in WICTIP.

The proven platform has now been refined – and the result is convincing!

Stronger. Faster. Smarter.

Intuitive design

The intuitive design immediately catches the eye. All the technical documentation for a product series can be downloaded with just a few clicks.

Simple download basket

Just collect and download! All technical documents, certificates, drawings etc. can be selected and then quickly and easily downloaded in a single package using the download basket.

Powerful search function

One of the most important innovations is the powerful search function using keywords. With the option to set filters, searches are even more targeted and the results can be further refined.

Flipping Book instead of pdf reader

In the new WICTIP, documents can be opened in Flipping Book. The benefit of this is that search terms previously entered in WICTIP search are displayed once the required document is opened in Flipping Book: highlighted in colour in the text as well as in a navigation bar. By using this navigation bar, you can go directly to the corresponding page of the relevant document.

Smart news function

The new news function is smart - in the truest sense of the word. Users are informed as soon as new technical documents or document updates are available. Architects, planners and fabricators are thus guaranteed of being kept up-to-date.

Responsive design

Thanks to the specially programmed responsive design, the display independently adjusts to the appropriate format for the user's device.

Helpful tools

In addition to the technical documentation, WICTIP offers helpful tools for calculating technical data, e.g. for calculating static values or U_w values. A comprehensive library of tender texts and WICONA 3D BIM objects is also available.

WICTIP App

The WICTIP App for mobile devices is the perfect complement to the WICTIP desktop version – available in the App Store and Google Play.



No WICTIP account yet?
Register now and discover the entire
product documentation range –
updated every day!

www.wictip.com



» NEWS



NEWS
Design Manual for window systems now available!




NEWS
WICLINE 75 MAX Product ranges now available!


» PRODUCT LINES



WICLINE
Windows



WICSTYLE
Doors



WICSLIDE
Sliding systems



WICTEC
Facades



WICSOLAIRE
Solar shading systems

» GENERAL DOCUMENTS & INFORMATION

Hardware
Installation
Plans

Design
Manuals

CE Documents

» TOOLS



Static Calculator



U_w-Value Calculator



BIM Objects



Tender texts



Software



Austria

5201 Seekirchen
☎ +43 6212 2000
✉ info@wicona.at

Benelux

3400 Landen
☎ +32 11 690316
✉ info@wicona.be
✉ info@wicona.nl

Croatia

10010 Zagreb
☎ +385 01 2048 217
✉ info@wicona.de

Czech Republic

619 00 Brno
☎ +420 602 745 407
✉ wicona@wicona.cz

Denmark

8240 Risskov
☎ +45 7020 2048
✉ wicona@wicona.dk

España

08195 Sant Cugat del Vallès
Barcelona
☎ +34 93 573 77 76
✉ wicona.es@wicona.com

Estonia / Latvia

75312 Rae vald Harjumaa
☎ +372 657 66 35
✉ info@wicona.ee

France

02200 Courmelles
☎ +33 3 23598200
✉ info@wicona.fr

Germany

89077 Ulm
☎ +49 731 3984-0
✉ info@wicona.de

Hungary

1031 Budapest
☎ +36 (1) 4533457
✉ info@wicona.hu

Ireland

Dublin D22 X286
☎ +353 1 4105766
✉ info@wicona.ie

Italia

20063 Cernusco sul Naviglio MI
☎ +39 02 924291
✉ info@wicona.it

Kosovo-Albania

Prishtina 10000, Kosovo
☎ +38 349 28 02 22
✉ info@wicona.de

Lithuania / Latvia

02244 Vilnius
☎ +370 5 2102587
✉ info@wicona.lt

Norway

2007 Kjeller
☎ +47 22 42 22 00
✉ wicona@wicona.no

Poland

93-428 Łódź
☎ +48 42 683 63 73
✉ wicona.pl@hydro.com

Romania

032332 Bucharest
☎ +40 724 743 070
✉ info@wicona.de

Serbia

11070 Beograd
☎ +381 11 312 18 35
✉ info@wicona.de

Slovakia

82105 Bratislava
☎ +421 918 725 098
✉ info@wicona.sk

Slovenia

2201 Zg. Kungota
☎ +386 2 620 99 70
✉ info@wicona.de

Sweden

574 81 Vetlanda
☎ +46 470 78 74 00
✉ wicona@wicona.se

Switzerland

5506 Mägenwil
☎ +41 62 887 41 41
✉ info@wicona.ch

United Kingdom

Tewkesbury, GL20 8SF
☎ +44 1684 853500
✉ info.wiconauk@wicona.com

China

Beijing 100005, P.R.C
☎ +86 10 6059 5686 ext. 805
✉ contact.wicona.international@wicona.com

Singapore

608831 Singapore
☎ +65 6513 2126
✉ contact.wicona.international@wicona.com

United Arab Emirates

Dubai
☎ +971 4 887 00 96
✉ contact.wicona.international@wicona.com

United States of America

☎ 1+(516) 519-4635
✉ info.na@wicona.com

Other countries

31037 Toulouse
☎ +33 5 61312626
✉ contact.wicona.international@wicona.com